



EUROPEAN ANTENNAS

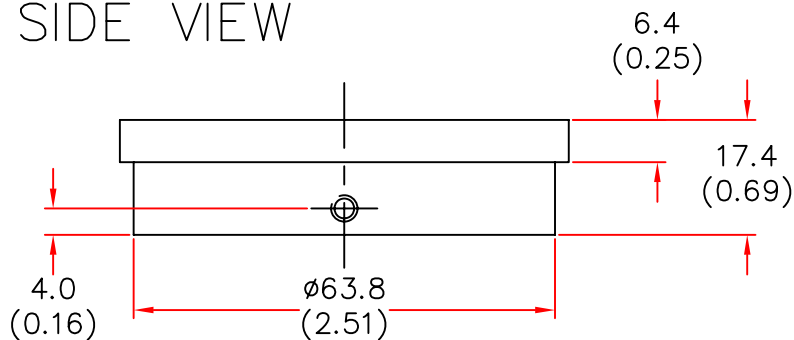


FLAT PANEL ANTENNA

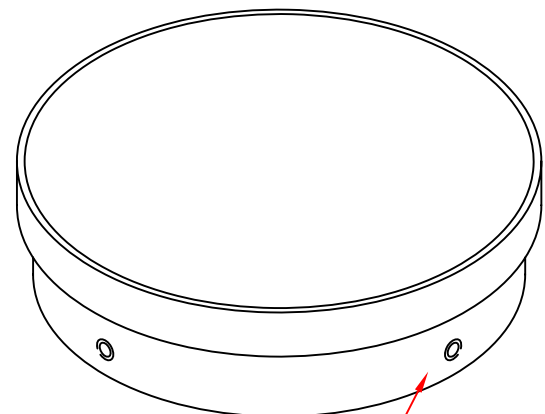
MODEL: FPA13-84V-T2/261

FREQUENCY: 8.2 - 10.0 GHz	GAIN: 13 dBi
POLARISATION: Linear (Vertical)	BEAMWIDTH: 40° x 40°
CROSS POLAR: 20 dB	VSWR: 1.5:1 2:1 Band edges
POWER RATING: 5 W	FRONT TO BACK: 20 dB
TEMPERATURE: -20°C to +50°C	MASS: 0.1 Kg/0.22 lbs
FINISH: Natural PTFE / Alocrom 1200	WIND LOADING: 0.6Kg/1.3lbs@100mph

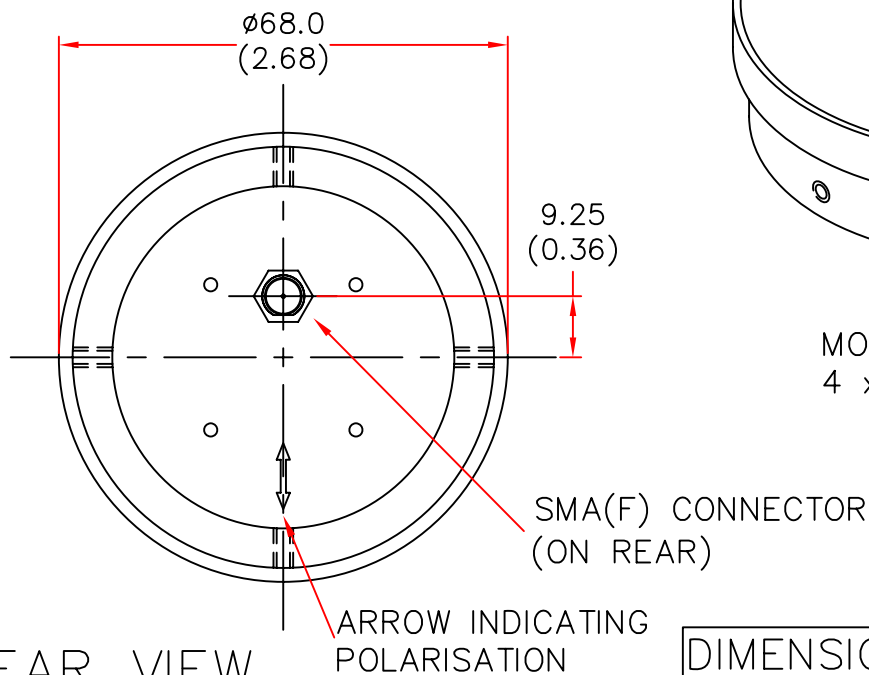
SIDE VIEW



ISOMETRIC VIEW



MOUNTING VIA
4 x M3.0 HOLES



REAR VIEW

DIMENSIONS: mm (inches)

GA 261-3 Issued 110607

EUROPEAN ANTENNAS LTD.

TEL: +44 (0)1638 731888

LAMBDA HOUSE, CHEVELEY,
NEWMARKET, SUFFOLK, CB8 9RG,
UNITED KINGDOM.

FAX: +44 (0)1638 731999

European Antennas Ltd. has a policy of continuous development and therefore stress that the data contained on this sheet should be used for guidance only.