

SA13-2.7V/2226



Sector Antenna

The most important thing we build is trust

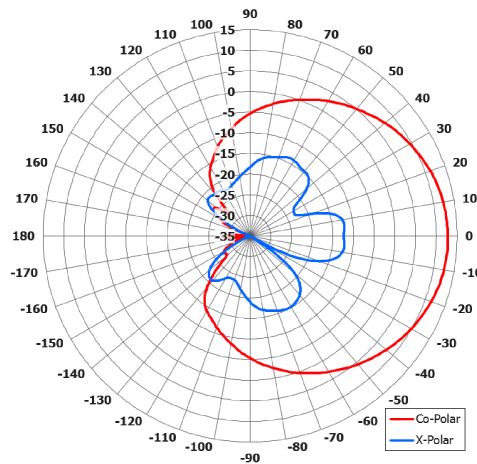
Key Features

Suitable For Outdoor Applications

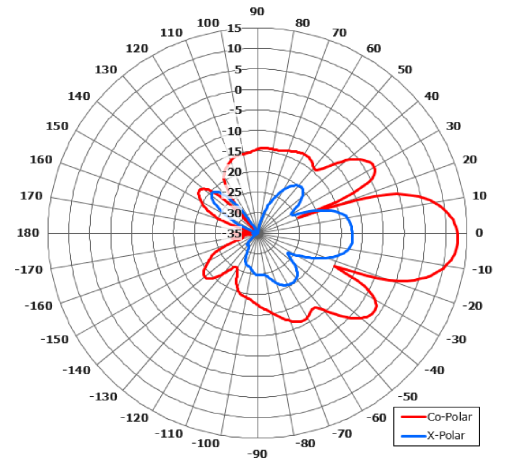
Rugged

Low Profile

Integrated Cable

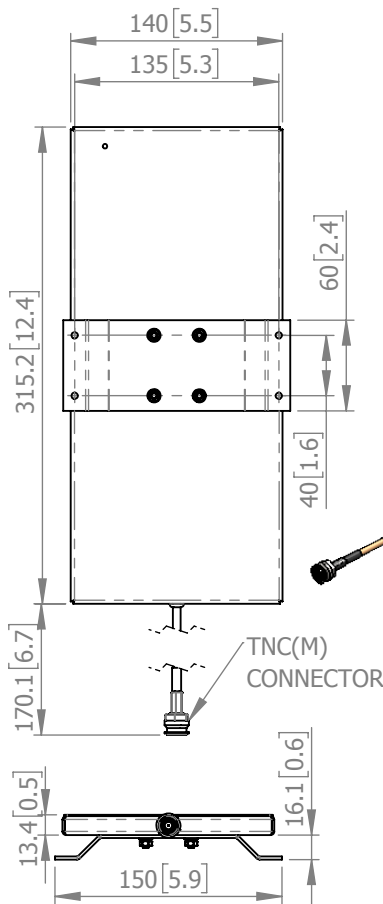


Azimuth Polar Plot (similar product)



Elevation Polar Plot (similar product)

SIDE VIEW



BASE VIEW

ELECTRICAL

Frequency:	2.6 - 2.74 GHz
Gain:	12.5 dBi Nominal
Polarisation:	Linear (Vertical)
Beamwidth:	60° (Az) x 20° (El) Approx
Cross Polar:	20 dB Nominal
VSWR:	1.5:1 Maximum
Power Rating:	30 W
Front to Back:	30dB TYP.

MECHANICAL

Standard Finish:	Grey Radome
Mass:	0.45 Kg / 0.99 lbs
Temperature:	-20° to +50°C
Wind Loading:	7.15 Kg / 15.7 lbs @ 100 mph

MOUNTING OPTIONS

Kits Available:	Included
See Separate Data Sheets	

DS: 2226i1 Issued: 270318
Dimensions: mm [inches] M

Chelton Limited trading as Cobham Antenna Systems, Microwave Antennas

Chelton Limited has a policy of continuous development and stress that the information provided is a guide only and does not constitute an offer or contract or part thereof. Whilst every effort is made to ensure the accuracy of the information contained in this Data Sheet, no responsibility can be accepted for any errors or omissions.

The copyright of antenna designs and images is copyright protected and owned by Chelton Limited.
©Chelton Limited.

For further information please contact:

Cobham Antenna Systems, Microwave Antennas, Lambda House, Cheveley, Newmarket, Suffolk, CB8 9RG, UK

T: +44 (0) 1638 732177
E: newmarket.sales@cobham.com
W: www.cobham.com/antennasystems/microwaveantennas