

FPA7-2.4RL/2465



Flat Panel Antenna

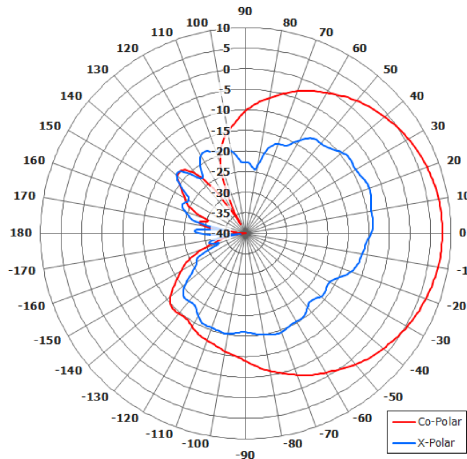
The most important thing we build is trust

Key Features

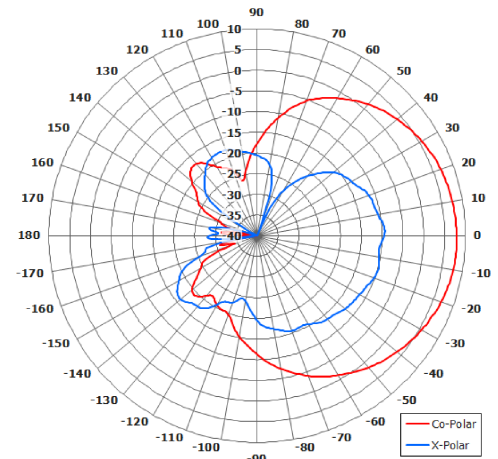
Low Profile

Dual Circular Polarised

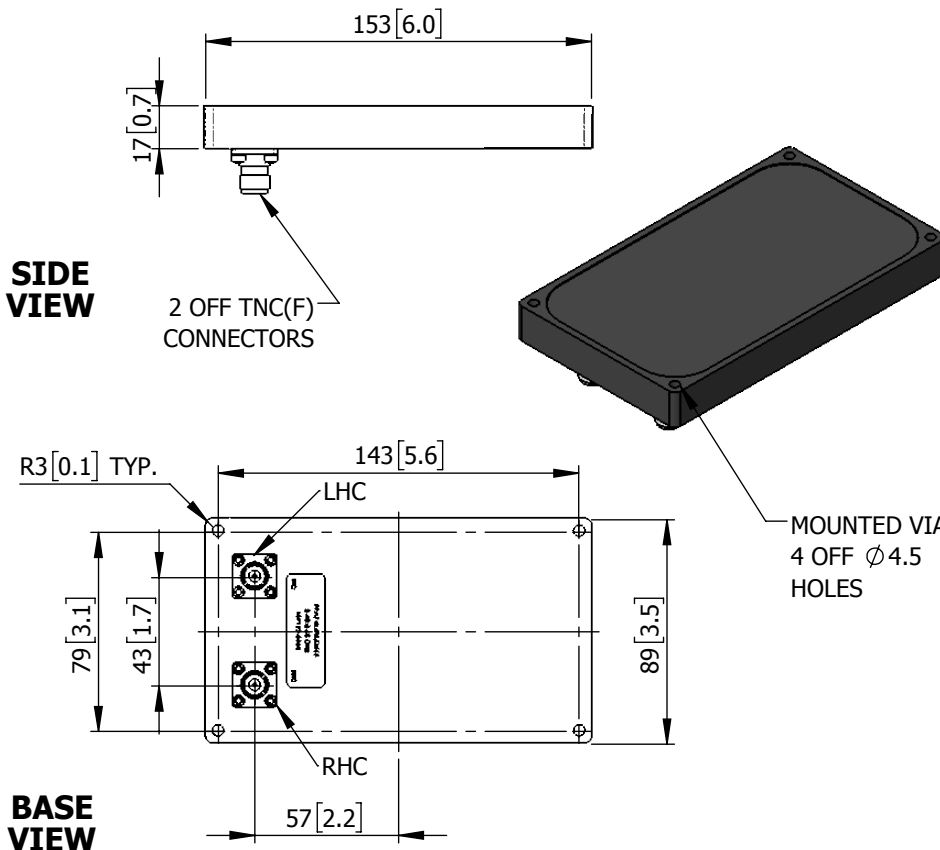
Multiple applications



Azimuth Polar Plot



Elevation Polar Plot



ELECTRICAL

Frequency:	2.40 - 2.65 GHz
Gain:	7 dBiC
Polarisation:	Right & Left Hand Circular
Beamwidth:	70° (Az) x 70° (El) Approx.
Axial Ratio:	3 dB Typ.
VSWR:	1.5:1
Power Rating:	10 W
Front to Back:	20 dB Typ.
Electrical Tilt:	N/A

MECHANICAL

Standard Finish:	Matt Black
Mass:	400 g / 0.88 lbs Approx.
Temperature:	-20° to +50°C
Wind Loading:	2.21 Kg / 4.86 lbs @ 100 mph

MOUNTING OPTIONS

Kits Available:	N/A
See Separate Data Sheets	

DS: 2465-1 Issued: 170518
Dimensions: mm [inches] M

Chelton Limited trading as Cobham Antenna Systems, Microwave Antennas

Chelton Limited has a policy of continuous development and stress that the information provided is a guide only and does not constitute an offer or contract or part thereof. Whilst every effort is made to ensure the accuracy of the information contained in this Data Sheet, no responsibility can be accepted for any errors or omissions.

The copyright of antenna designs and images is copyright protected and owned by Chelton Limited.
©Chelton Limited.

For further information please contact:

Cobham Antenna Systems, Microwave Antennas, Lambda House, Cheveley, Newmarket, Suffolk, CB8 9RG, UK

T: +44 (0) 1638 732177
E: newmarket.sales@cobham.com
W: www.cobham.com/antennasystems/microwaveantennas