

Dipole Antenna

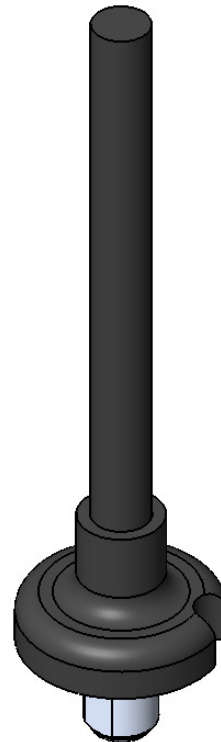
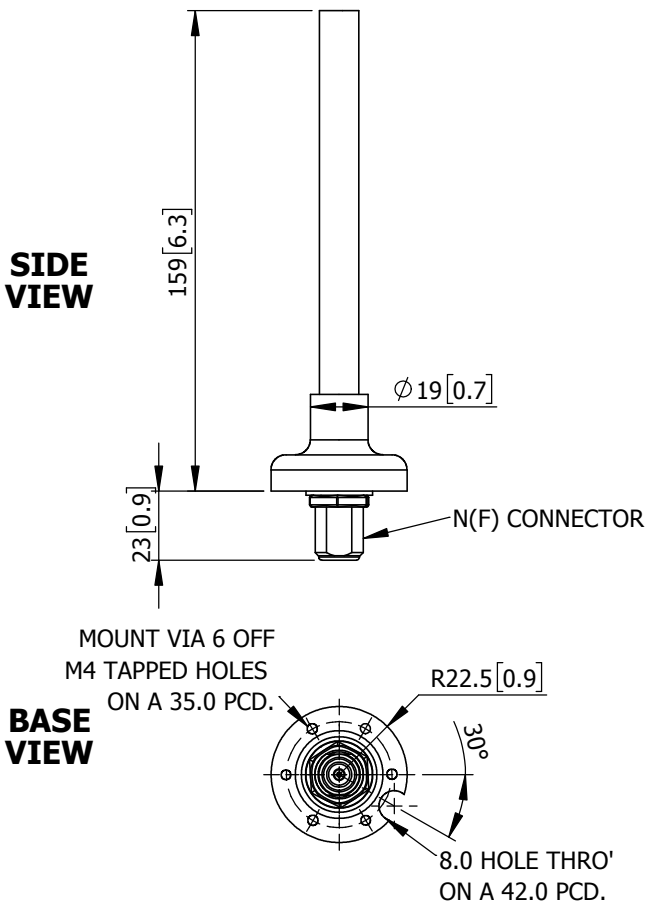
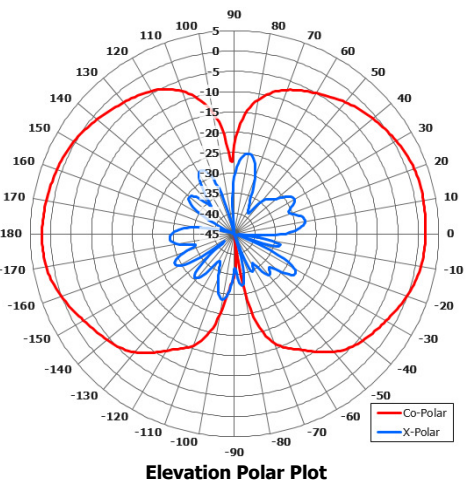
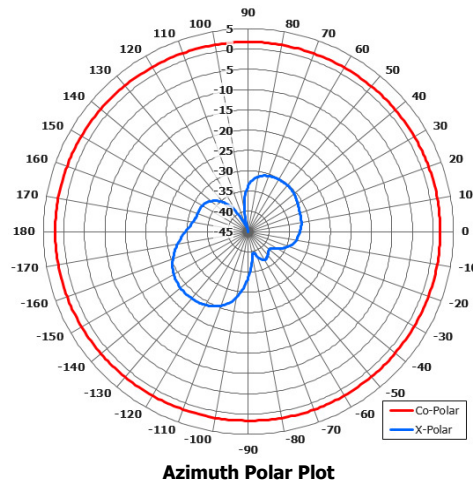
The most important thing we build is trust

Key Features

Extra Rugged Dipole Antenna

Ground Plane Independent

O-ring in Base for Weather Proof Installation



ELECTRICAL

Frequency:	1.50 - 1.65 GHz
Gain:	2 dBi Nom.
Polarisation:	Linear (Vertical)
Beamwidth:	360° (Az) x 61° (El)
Cross Polar:	>20 dB Typ.
VSWR:	2:1 Typ.
Power Rating:	10 W
Front to Back:	N/A

MECHANICAL

Standard Finish:	Black
Mass:	105 g / 3.7 oz
Temperature:	-20° to +50°C
Wind Loading:	N/A

MOUNTING OPTIONS

Kits Available:	N/A
------------------------	-----

DS: 2488-1 Issued: 070618
 Dimensions: mm [inches] M

Chelton Limited trading as Cobham Antenna Systems, Microwave Antennas

Chelton Limited has a policy of continuous development and stress that the information provided is a guide only and does not constitute an offer or contract or part thereof. Whilst every effort is made to ensure the accuracy of the information contained in this Data Sheet, no responsibility can be accepted for any errors or omissions.

The copyright of antenna designs and images is copyright protected and owned by Chelton Limited.
 ©Chelton Limited.

For further information please contact:

Cobham Antenna Systems, Microwave Antennas, Lambda House, Cheveley, Newmarket, Suffolk, CB8 9RG, UK

T: +44 (0) 1638 732177
 E: newmarket.sales@cobham.com
 W: www.cobham.com/antennasystems/microwaveantennas