

PSA-2.0-18R/2354

Directional Antenna

COBHAM

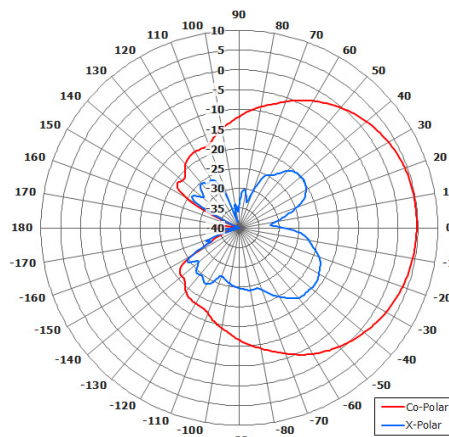
The most important thing we build is trust

Key Features

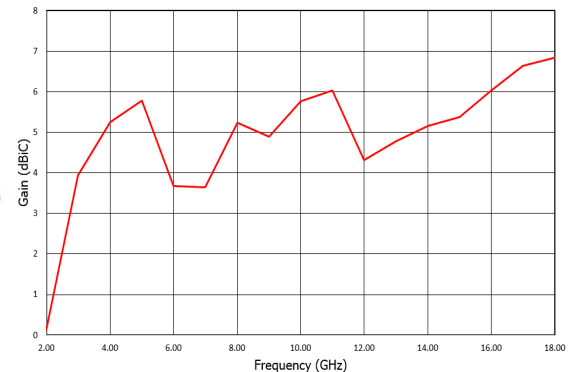
Designed for Electronic Warfare Applications

Designed for DF Arrays

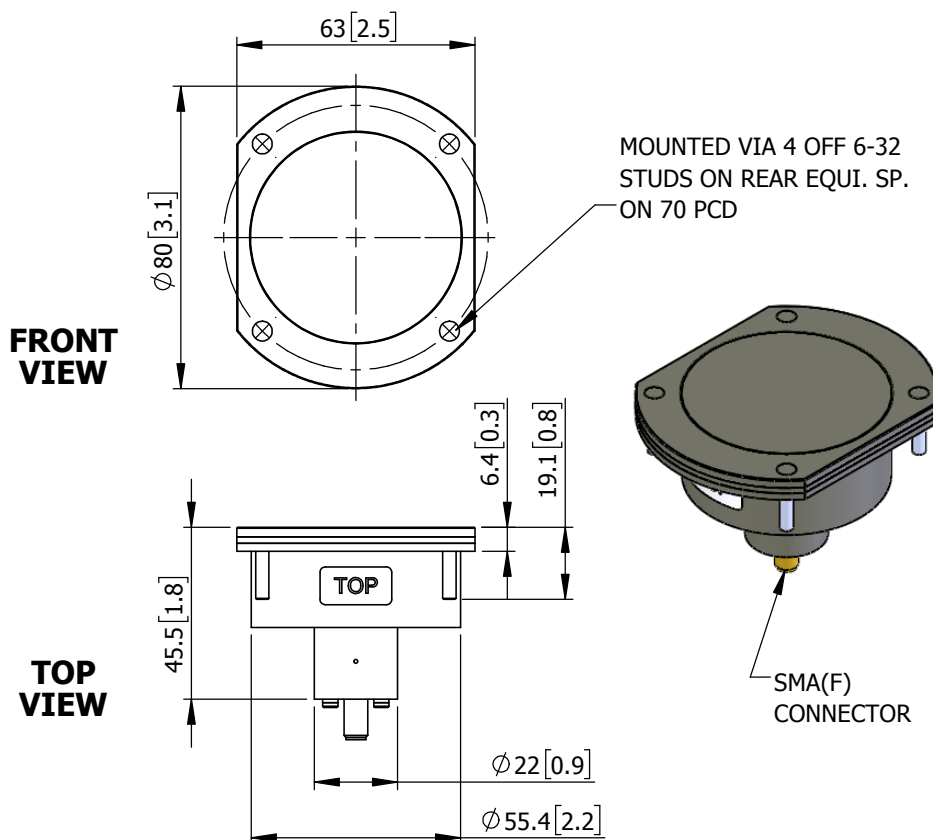
Pattern - Directional



Typical Azimuth Polar Plot



Gain Plot



ELECTRICAL

Frequency:	2.0 - 18.0 GHz
Gain:	-2 dBd (2-3 GHz) 0 dBd (3-18 GHz)
Polarisation:	Right Hand Circular
Beamwidth:	75° (Az) x 75° (El) Nom.
Axial Ratio:	10 dB (2-3 GHz) 2 dB (3-18 GHz)
VSWR:	2.5:1
Power Rating:	5 W
Front to Back:	25 dB

MECHANICAL

Standard Finish:	BS381C 626 Camouflage Grey
Mass:	120 g / 0.26 lbs
Temperature:	-54° to +71°C
Wind Loading:	N/A

MOUNTING OPTIONS

Kits Available: N/A
See Separate Data Sheets

DS: 2354-1 **Issued:** 231018
Dimensions: mm [inches] **M**

Chelton Limited trading as Cobham Antenna Systems, Microwave Antennas

Chelton Limited has a policy of continuous development and stress that the information provided is a guide only and does not constitute an offer or contract or part thereof. Whilst every effort is made to ensure the accuracy of the information contained in this Data Sheet, no responsibility can be accepted for any errors or omissions.

The copyright of antenna designs and images is copyright protected and owned by Chelton Limited.
©Chelton Limited.

For further information please contact:

Cobham Antenna Systems, Microwave Antennas, Lambda House, Cheveley, Newmarket, Suffolk, CB8 9RG, UK

T: +44 (0) 1638 732177
E: newmarket.sales@cobham.com
W: www.cobham.com/antennasystems/microwaveantennas