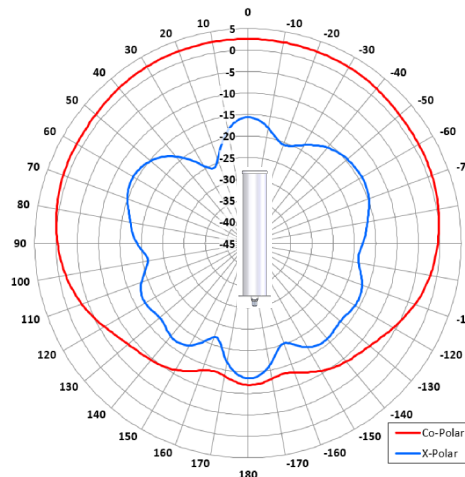


The most important thing we build is trust

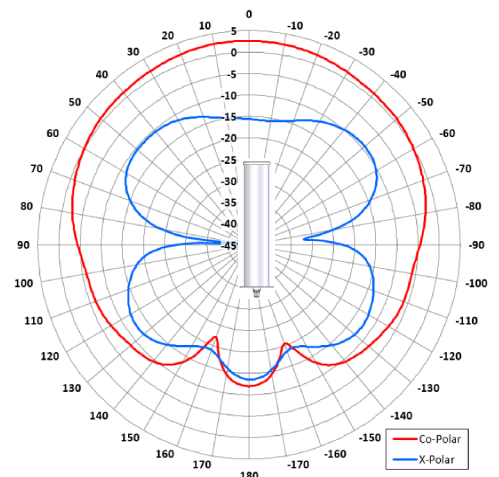
### Key Features

Meteorological Satellite Uplink Application

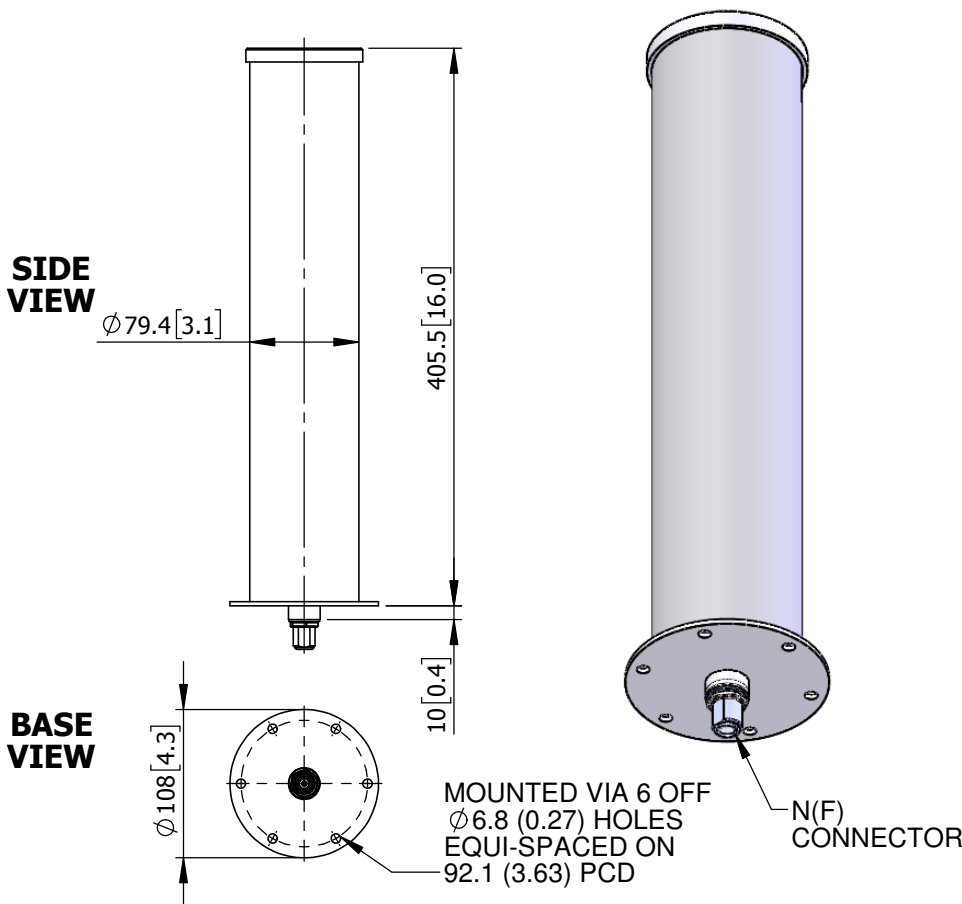
Rugged Marine Environment



Elevation Polar Plot  $\phi=0^\circ$



Elevation Polar Plot  $\phi=90^\circ$



### ELECTRICAL

Frequency:	400 - 408 MHz
Gain:	3 dBiC Nom.
Polarisation:	Right Hand Circular
Beamwidth:	360° (Az) x 160° (El)
Axial Ratio:	3 dB Typ.
VSWR:	2:1 Max.
Power Rating:	50 W
Front to Back:	14 dB

### MECHANICAL

Standard Finish	White
Mass:	1.0 Kg / 2.2 lbs
Temperature:	-20° to +50°C
Wind Loading:	5.3 Kg / 11.6 lbs @ 100 mph

### MOUNTING OPTIONS

Kits Available:	N/A
See Separate Data Sheets	

DS: 0979-2 Issued: 220119

Dimensions: mm [inches] L

Chelton Limited trading as Cobham Antenna Systems, Microwave Antennas

Chelton Limited has a policy of continuous development and stress that the information provided is a guide only and does not constitute an offer or contract or part thereof. Whilst every effort is made to ensure the accuracy of the information contained in this Data Sheet, no responsibility can be accepted for any errors or omissions.

The copyright of antenna designs and images is copyright protected and owned by Chelton Limited.  
©Chelton Limited.

For further information please contact:

Cobham Antenna Systems, Microwave Antennas, Lambda House, Cheveley, Newmarket, Suffolk, CB8 9RG, UK

T: +44 (0) 1638 732177

E: [newmarket.sales@cobham.com](mailto:newmarket.sales@cobham.com)

W: [www.cobham.com/antennasystems/microwaveantennas](http://www.cobham.com/antennasystems/microwaveantennas)