

Dual Flat Panel Antenna

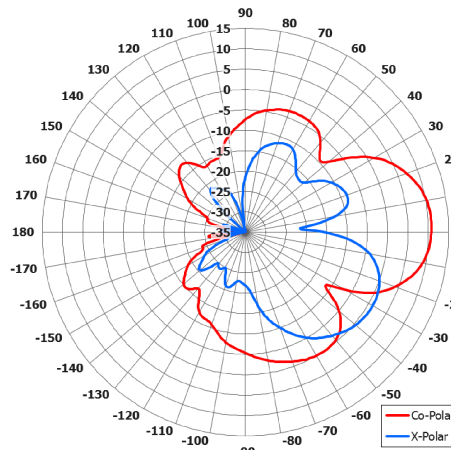
The most important thing we build is trust

Key Features

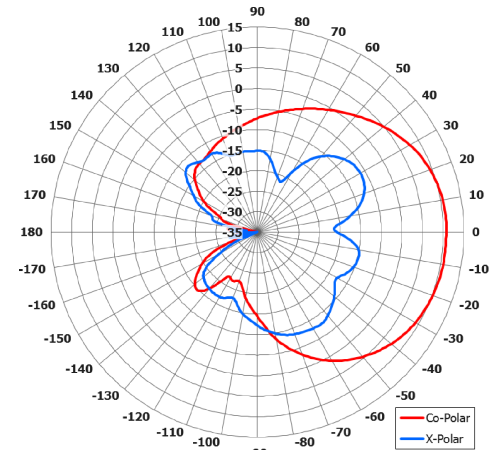
Dual-band 2GHz/2.4GHz

Rugged Enclosure

Circular Polarisation

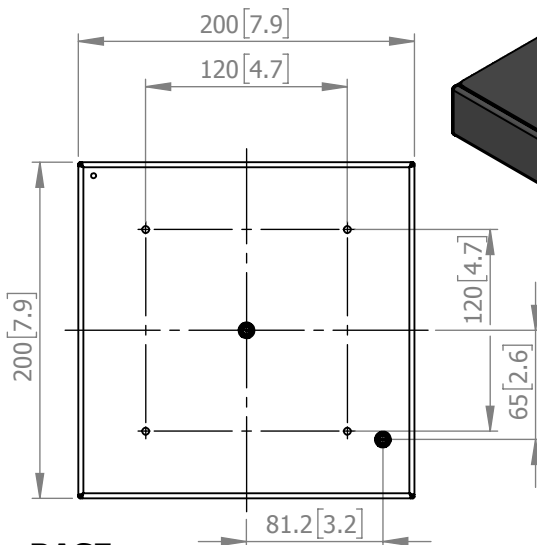
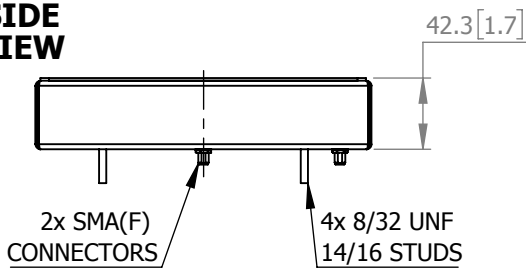


Azimuth Polar Plot

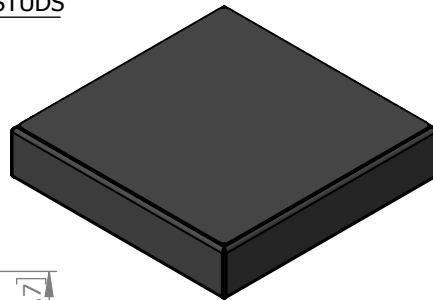


Elevation Polar Plot

SIDE VIEW



BASE VIEW



| ELECTRICAL | Low Band | High Band |
|-----------------------|------------------------|----------------------|
| Frequency: | 1.92 - 2.17 GHz | 2.4 - 2.5 GHz |
| Gain: | 9.15 dBic Nom. | 10.78 dBic Nom. |
| Polarisation: | Circular (Left) | Circular (Right) |
| Beamwidth: | 36.5° (Az) x 71° (E) | 31.1° (Az) x 67° (E) |
| Axial Ratio: | 2 dB Typ. | 2 dB Typ. |
| VSWR: | >2:1 Max, > 1.5:1 Typ. | |
| Power Rating: | 50 W | |
| Front to Back: | >20 dB Typ. | >20 dB Typ. |

MECHANICAL

| | |
|----------------------|--------------------|
| Finish: | Black |
| Mass: | 0.78 Kg / 1.72 lbs |
| Temperature: | -45° to +70°C |
| Wind Loading: | N/A |

MOUNTING OPTIONS

Kits Available: N/A

See Separate Data Sheets

DS: 2481 - 1

Issued: 201118

Chelton Limited trading as Cobham Antenna Systems, Microwave Antennas

Chelton Limited has a policy of continuous development and stress that the information provided is a guide only and does not constitute an offer or contract or part thereof. Whilst every effort is made to ensure the accuracy of the information contained in this Data Sheet, no responsibility can be accepted for any errors or omissions.

The copyright of antenna designs and images is copyright protected and owned by Chelton Limited.
©Chelton Limited.

For further information please contact:

Cobham Antenna Systems, Microwave Antennas, Lambda House, Cheveley, Newmarket, Suffolk, CB8 9RG, UK

T: +44 (0) 1638 732177

E: newmarket.sales@cobham.com

W: www.cobham.com/antennasystems/microwaveantennas