

LPA7-915V/1134

Directional Antenna

COBHAM

The most important thing we build is trust

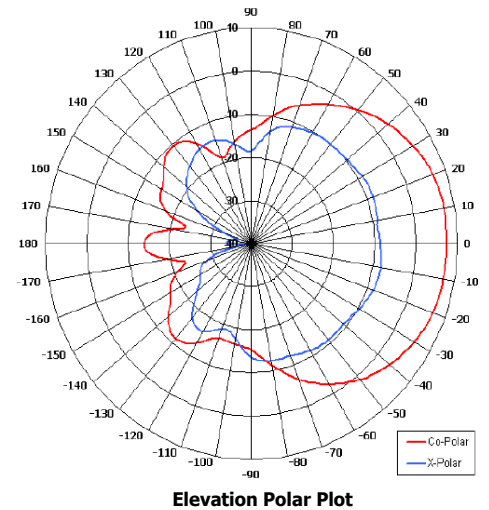
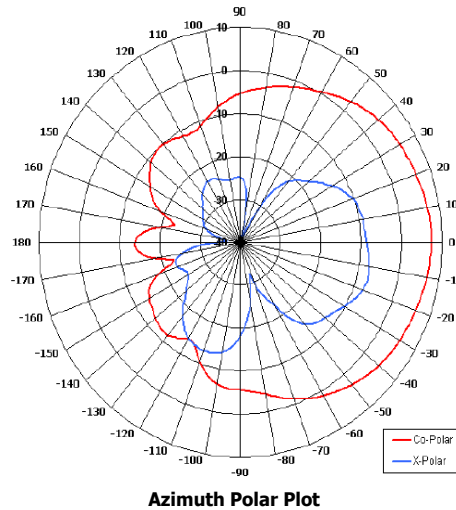
Key Features:

Designed for GSM 900

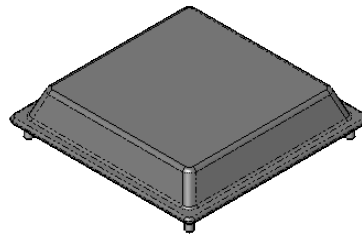
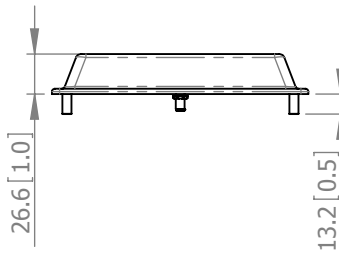
Rugged

Suitable for Outdoor Applications

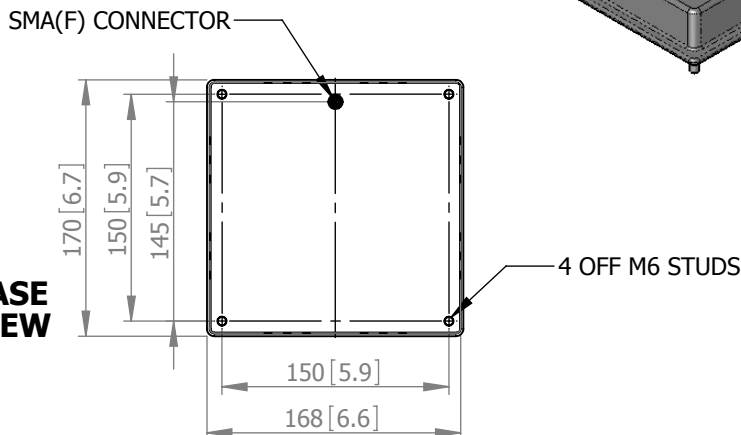
Vertical Polarisation



SIDE VIEW



BASE VIEW



ELECTRICAL

Frequency:	870 - 960 MHz
Gain:	7.7 dBi Typical on Boresight
Polarisation:	Linear (Vertical)
Beamwidth:	80° (Az) x 70° (El) Approx.
Axial Ratio:	15 dB Typ.
VSWR:	2:1 Max, 1.5:1 Typ.
Power Rating:	50 W
Front to Back:	20 dB Typ.

MECHANICAL

Standard Finish:	Black Radome
Mass:	320 g / 0.7 lbs
Temperature:	-20° to +50°C
Wind Loading:	4.68 Kg / 10.3 lbs @ 100 mph

MOUNTING OPTIONS

Kits Available: N/A
See Separate Data Sheets

DS: 1134-3 Issued: 090119
Dimensions: mm [inches] H

Chelton Limited trading as Cobham Antenna Systems, Microwave Antennas

Chelton Limited has a policy of continuous development and stress that the information provided is a guide only and does not constitute an offer or contract or part thereof. Whilst every effort is made to ensure the accuracy of the information contained in this Data Sheet, no responsibility can be accepted for any errors or omissions.

The copyright of antenna designs and images is copyright protected and owned by Chelton Limited.
©Chelton Limited.

For further information please contact:

Cobham Antenna Systems, Microwave Antennas, Lambda House, Cheveley, Newmarket, Suffolk, CB8 9RG, UK

T: +44 (0) 1638 732177
E: newmarket.sales@cobham.com
W: www.cobham.com/antennasystems/microwaveantennas