

Planar Elliptical Spiral Antenna

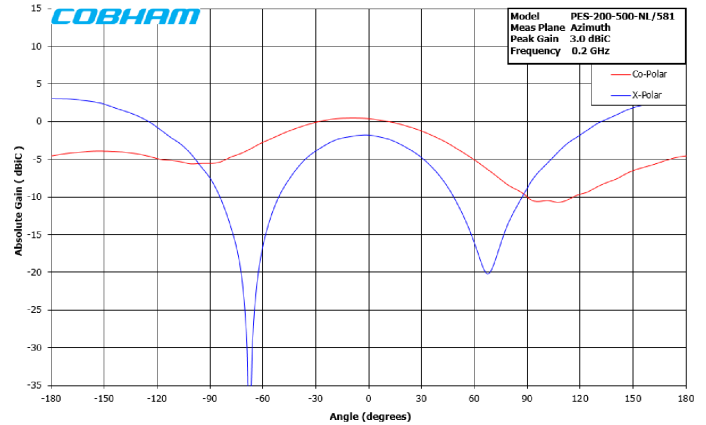
The most important thing we build is trust

Key Features:

This product has an open structure and needs to be put into a weather proof enclosure

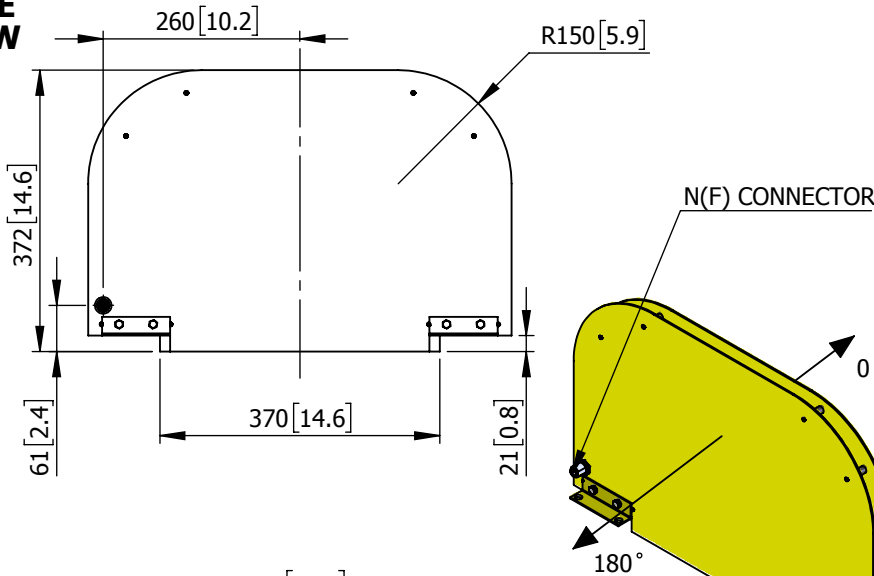
Bi-Directional

Ultra Low Profile

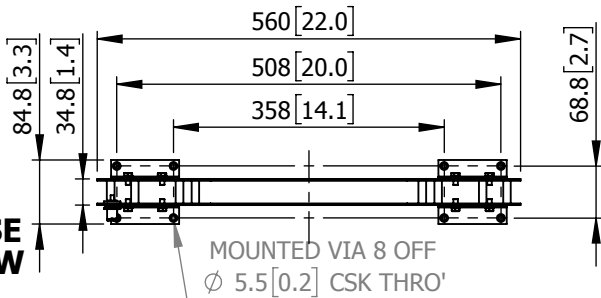


Typical Azimuth Plot

SIDE VIEW



BASE VIEW



ELECTRICAL

Frequency:	200 - 1000 MHz
Gain:	2 dBIC Typ.
Polarisation:	Right & Left Hand Circular
Beamwidth:	80° (Az - Bi-directional) x 80° (E) Typ.
Axial Ratio:	N/A
VSWR:	2.5:1 @ 300 - 1000 MHz 3.5:1 @ 200 - 300 MHz
Power Rating:	10 W CW
Front to Back:	N/A

MECHANICAL

Standard Finish:	As Built
Mass:	2.3 Kg / 5.06 lbs
Temperature:	-20° to +60°C
Wind Loading:	N/A

MOUNTING OPTIONS

Kits Available:	N/A
See Separate Data Sheets	

DS: 0581-4 Issued: 180219  
Dimensions: mm [inches] M

Chelton Limited trading as Cobham Antenna Systems, Microwave Antennas

Chelton Limited has a policy of continuous development and stress that the information provided is a guide only and does not constitute an offer or contract or part thereof. Whilst every effort is made to ensure the accuracy of the information contained in this Data Sheet, no responsibility can be accepted for any errors or omissions.

The copyright of antenna designs and images is copyright protected and owned by Chelton Limited.  
©Chelton Limited.

For further information please contact:

Cobham Antenna Systems, Microwave Antennas, Lambda House, Cheveley, Newmarket, Suffolk, CB8 9RG, UK

T: +44 (0) 1638 732177  
E: [newmarket.sales@cobham.com](mailto:newmarket.sales@cobham.com)  
W: [www.cobham.com/antennasystems/microwaveantennas](http://www.cobham.com/antennasystems/microwaveantennas)