

SA12-120-4.8V/1659

COBHAM

Sector Antenna

The most important thing we build is trust

Wide Band

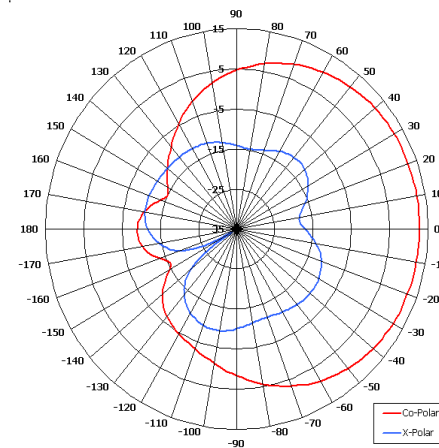
Pattern - Sectorial

Designed for Security Applications

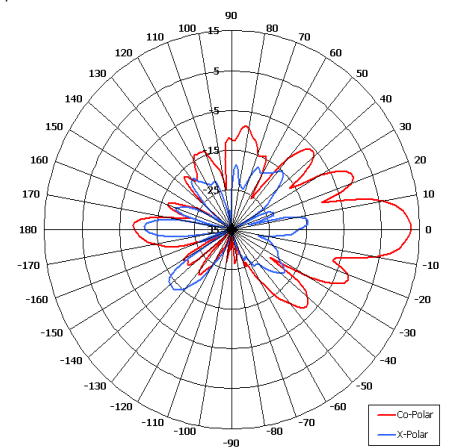
Suitable for Outdoor Applications

Rugged Design

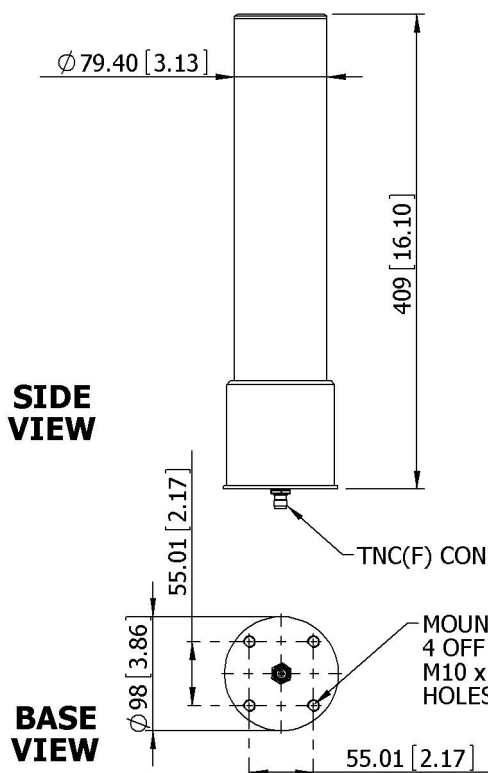
Connector Options



Azimuth Pattern



Elevation Pattern



SIDE VIEW

BASE VIEW

GA: 1659

TNC(F) CONNECTOR

MOUNTED VIA
4 OFF
M10 x 20 TAPPED
HOLES

SHOWN WITH
OPTIONAL
MOUNTING KIT
154A, FOR 2" POLES

ELECTRICAL

Frequency	4.40 - 5.10 GHz
Gain	12.8 dBi Nom
Polarisation	Linear (Vertical)
Beamwidth	120° (Az) x 16° (El) Approx
Cross Polar	>20 dB Typ
VSWR	2:1 Max, <1.5:1 Typ
Power Rating	30 W
Front to Back	20 dB Typ

MECHANICAL

Standard Finish	Matt Black
Mass	1.2 Kg (2.64 lbs)
Temperature	-40° to +60°C
Wind Loading	4.8 Kg (10.6 lbs) @ 100mph

MOUNTING OPTIONS

Kits Available	154A
See separate data sheets	

ADDITIONAL NOTES

Issued 171011

European Antennas Limited trading as Cobham Antenna Systems, Microwave Antennas

European Antennas Limited has a policy of continuous development and stress that the information provided is a guide only and does not constitute an offer or contract or part thereof. Whilst every effort is made to ensure the accuracy of the information contained in this brochure, no responsibility can be accepted for any errors or omissions.

The copyright of antenna designs and images is copyright protected and owned by European Antennas Limited.
©European Antennas Limited

For further information please contact:

Cobham Antenna Systems, Microwave Antennas
Lambda House, Cheveley,
Newmarket, Suffolk CB8 9RG, UK.
Tel +44 (0)1638 732 177
Fax +44 (0) 1638 731999
Email newmarket.sales@cobham.com