

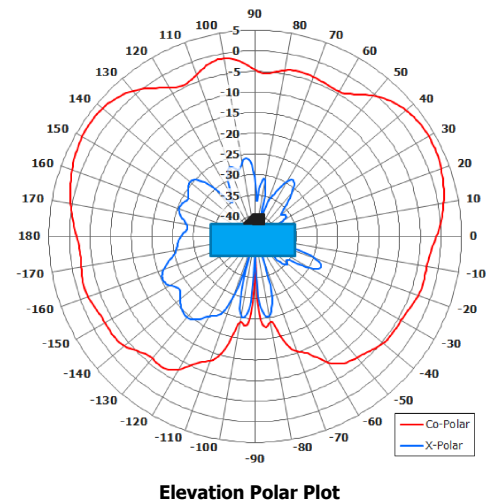
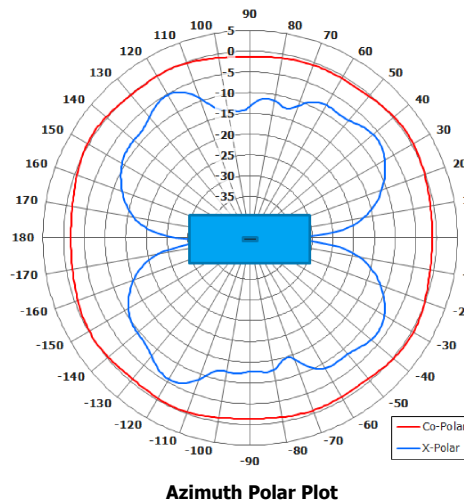
Blade Antenna

The most important thing we build is trust

Key Features:

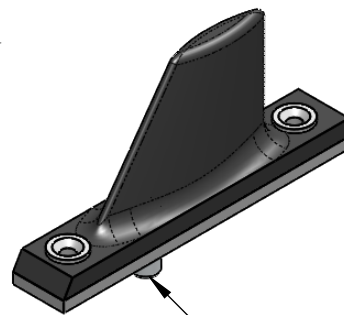
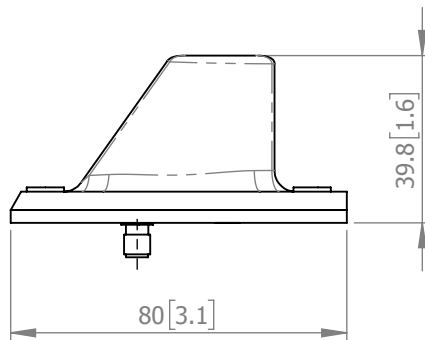
Lightweight

Low Profile Aerodynamic Design



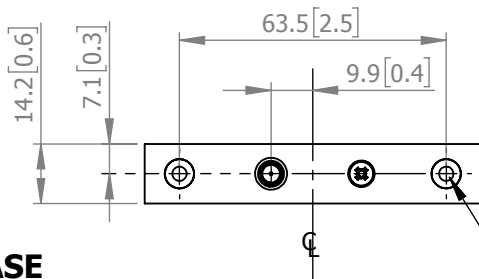
Typical Patterns measured on 200mm dia cylindrical ground plane

SIDE VIEW



SMA(F) CONNECTOR

BASE VIEW



MOUNTED VIA 2 OFF
Ø 3.4 CSK HOLES

ELECTRICAL

Frequency:	2.3 - 2.5 GHz
Gain:	0 dBi Typ.
Polarisation:	Linear (Vertical)
Beamwidth:	360°
Cross Polar:	6 dB Typ.
VSWR:	2.5:1 Max.
Power Rating:	25 W
Front to Back:	N/A

MECHANICAL

Standard Finish:	Black
Mass:	24 g / 0.85 oz
Temperature:	-40° to +60°C
Wind Loading:	N/A

NOTES

Performance Measured on 200mm dia cylinder
(ground plane dependant)

DS: 2042-2 Issued: 071118
Dimensions: mm [inches] M

Chelton Limited trading as Cobham Antenna Systems, Microwave Antennas

Chelton Limited has a policy of continuous development and stress that the information provided is a guide only and does not constitute an offer or contract or part thereof. Whilst every effort is made to ensure the accuracy of the information contained in this Data Sheet, no responsibility can be accepted for any errors or omissions.

The copyright of antenna designs and images is copyright protected and owned by Chelton Limited.
©Chelton Limited.

For further information please contact:

Cobham Antenna Systems, Microwave Antennas, Lambda House, Cheveley, Newmarket, Suffolk, CB8 9RG, UK

T: +44 (0) 1638 732177
E: newmarket.sales@cobham.com
W: www.cobham.com/antennasystems/microwaveantennas