

Triple Band Directional Antenna

The most important thing we build is trust

Key Features

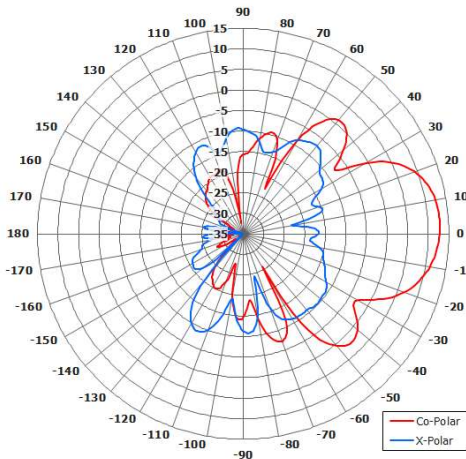
Designed for use with C-UAS Systems

Three bands in single housing, 1.6, 2.4 & 5.8 GHz

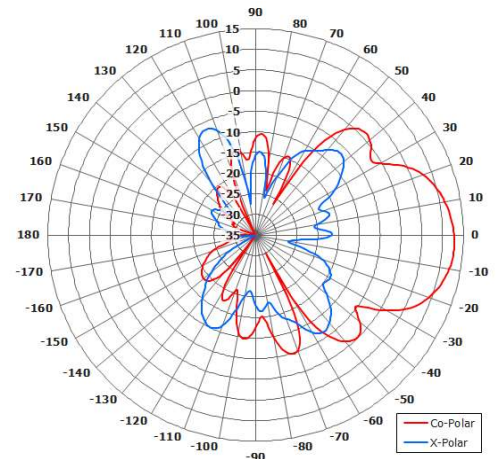
High power, 25W per band

Circular Polarisation for all bands increases overall effectiveness

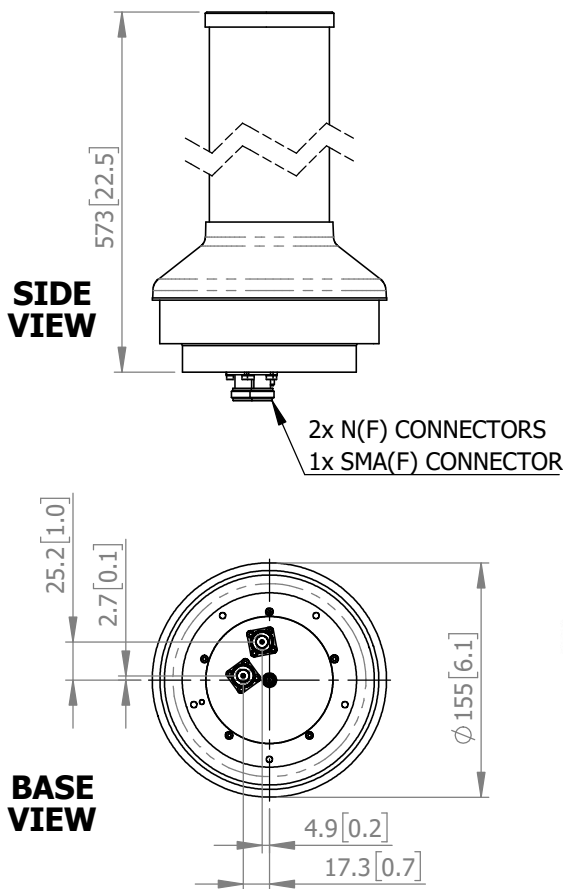
Narrow beam, 33 deg reduces interference outside target zone



Typical Azimuth Polar Plot



Typical Elevation Polar Plot



ELECTRICAL

Frequency:	1.56-1.67GHz	2.3-2.5GHz	5.4-5.9GHz
Gain:	13 dBIC Typ	14.5dBIC Typ	12.5dBIC Typ
Polarisation:	Right Hand Circular	Left Hand Circular	Right Hand Circular
Beamwidth:	32.5° (Az) x 32.5° (E)	29° (Az) x 29° (E)	26° (Az) x 24° (E)
Axial Ratio:	<3 dB Min	<1 dB Min	<4 dB Typ.
VSWR:	1.5:1 Typ, 2:1 Max.		
Power Rating:	25 W		
Front to Back:	>20dB Min		

MECHANICAL

Standard Finish:	Matt Black
Mass:	1.5Kg / 3.3 lbs
Temperature:	-40° to +70°C

MOUNTING OPTIONS

Kits Available:	Mounted Via Customer Mount
------------------------	----------------------------

See Separate Data Sheets

DS: 2453-1
Dimensions: mm [inches]

Issued: 030719
M

Chelton Limited trading as Cobham Antenna Systems, Microwave Antennas

Chelton Limited has a policy of continuous development and stress that the information provided is a guide only and does not constitute an offer or contract or part thereof. Whilst every effort is made to ensure the accuracy of the information contained in this Data Sheet, no responsibility can be accepted for any errors or omissions.

The copyright of antenna designs and images is copyright protected and owned by Chelton Limited.
©Chelton Limited.

For further information please contact:

Cobham Antenna Systems, Microwave Antennas, Lambda House, Cheveley, Newmarket, Suffolk, CB8 9RG, UK

T: +44 (0) 1638 732177
E: newmarket.sales@cobham.com
W: www.cobham.com/antennasystems/microwaveantennas