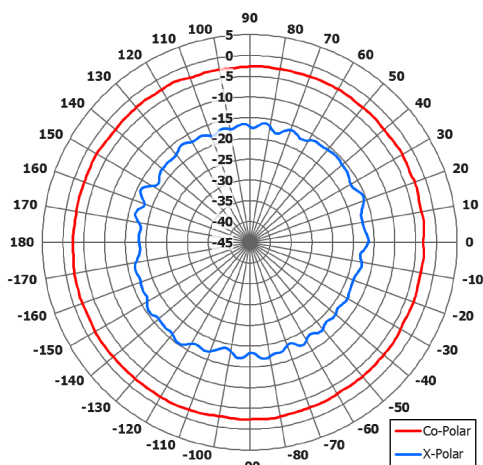


Omni Antenna

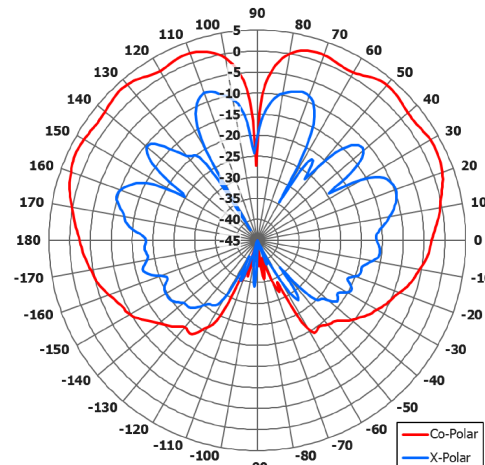
The most important thing we build is trust

Key Features

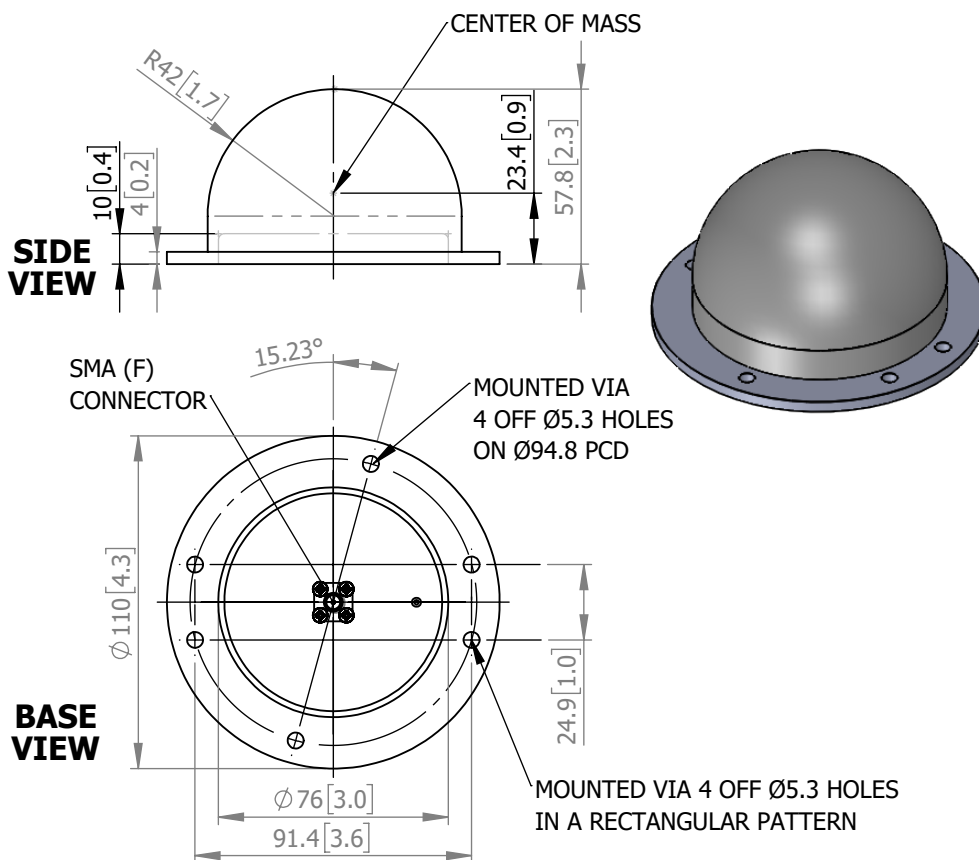
- KU Band Omni
- Right Hand Circular Polarisation
- Designed For CDL Applications
- Very Rugged Design
- Near Hemispherical Coverage



Typical Azimuth Polar Plot



Typical Elevation Polar Plot



ELECTRICAL

Frequency: 14.4 - 15.35 GHz
Gain: 4 dBiC Typ. (Peak), -2.5 dBiC Typ. (Horizon)

Polarisation: Right hand circular

Beamwidth (Az): 360°

Beamwidth (El): 70° Approx.

Azimuth Ripple: 2 dB max.

Axial Ratio: 4 dB typical, 10 dB max within -10 dB coverage

VSWR: <1.5:1

Electrical Up-Tilt: 50° Typ.

Power Rating: 80 W

MECHANICAL

Standard Finish: Grey

Mass: 0.3 Kg (0.66 lbs)

Temperature: -65° to +70°C Operational

Wind Loading: 4N @ 100 mph

MOUNTING OPTIONS

Kits Available: N/A

See Separate Data Sheets

GA: 2491i1 **Issued:** 300719
Dimensions: mm [inches] **L**

Chelton Limited trading as Cobham Antenna Systems, Microwave Antennas

Chelton Limited has a policy of continuous development and stress that the information provided is a guide only and does not constitute an offer or contract or part thereof. Whilst every effort is made to ensure the accuracy of the information contained in this Data Sheet, no responsibility can be accepted for any errors or omissions.

The copyright of antenna designs and images is copyright protected and owned by Chelton Limited.
 ©Chelton Limited.

For further information please contact:

Cobham Antenna Systems, Microwave Antennas, Lambda House, Cheveley, Newmarket, Suffolk, CB8 9RG, UK

T: +44 (0) 1638 732177
 E: newmarket.sales@cobham.com
 W: www.cobham.com/antennasystems/microwaveantennas