

FPA21-16R/1127



Directional Antenna

The most important thing we build is trust

Designed for Satellite Applications

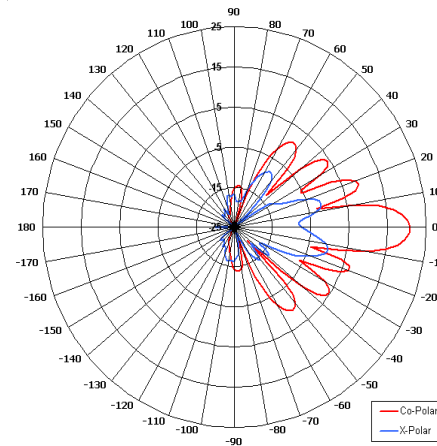
High Gain

Pattern - Highly Directional

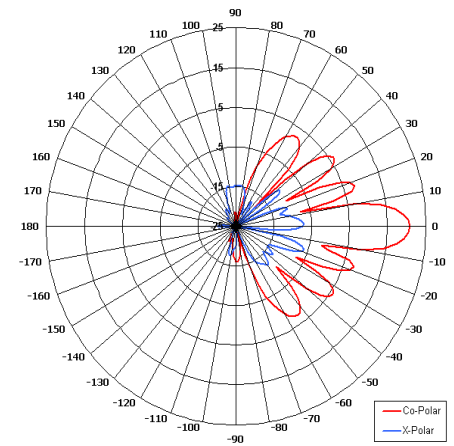
Right Hand Circular Polarised

Low Profile

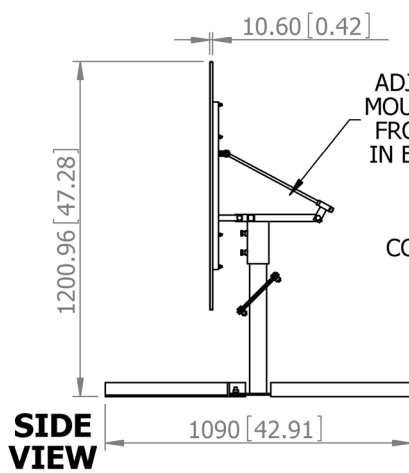
Mounting Options



Azimuth Pattern



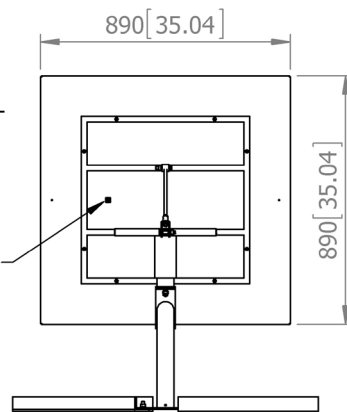
Elevation Pattern



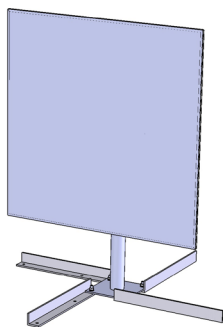
SIDE VIEW

ADJUSTABLE MOUNTING KIT FROM 0 - 90° IN ELEVATION

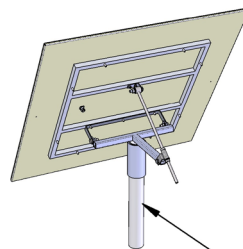
N(F) CONNECTOR to IP65



BASE VIEW



GA: 1127



ALTERNATIVE POLE MOUNTING

ELECTRICAL

Frequency	1.5250 - 1.6605 GHz
Gain	>21 dBiC Nom
Polarisation	Right Hand Circular
Beamwidth	11° (Az) x 11° (El) Typ
Axial Polar	1.2 dB Typ
VSWR	1.5:1
Power Rating	10 W
Front to Back	>40 dB

MECHANICAL

Standard Finish	White Antenna, St Steel/Galv Brackets
Mass	Antenna: 6.2 Kg (13.6 lbs) Brackets: 16.8 Kg (37.0 lbs)
Temperature	-33° to +77° C
Wind Loading	64.0 Kg (140.8 lbs) @ 70mph

MOUNTING OPTIONS

Kits Available	Included
See separate data sheets	

ADDITIONAL NOTES

Issued 161014

European Antennas Limited trading as Cobham Antenna Systems, Microwave Antennas

European Antennas Limited has a policy of continuous development and stress that the information provided is a guide only and does not constitute an offer or contract or part thereof. Whilst every effort is made to ensure the accuracy of the information contained in this brochure, no responsibility can be accepted for any errors or omissions.

The copyright of antenna designs and images is copyright protected and owned by European Antennas Limited.
©European Antennas Limited

For further information please contact:

Cobham Antenna Systems, Microwave Antennas
Lambda House, Cheveley,
Newmarket, Suffolk CB8 9RG, UK.
Tel +44 (0)1638 732 177
Fax +44 (0) 1638 731999
Email newmarket.sales@cobham.com