

Spiral Antenna

The most important thing we build is trust

Key Features

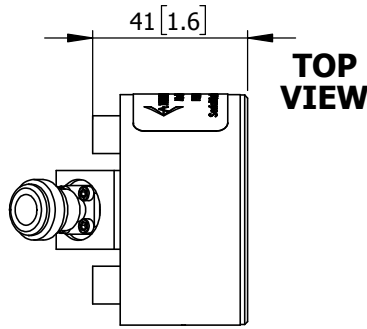
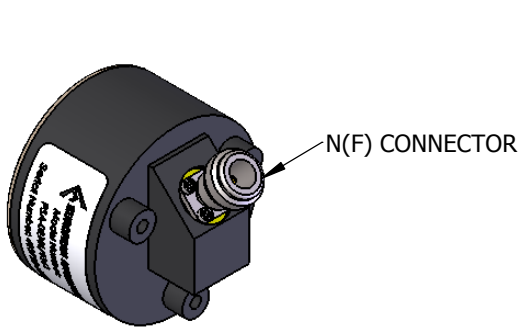
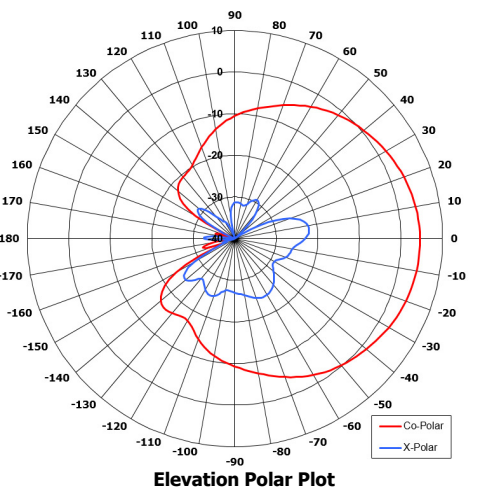
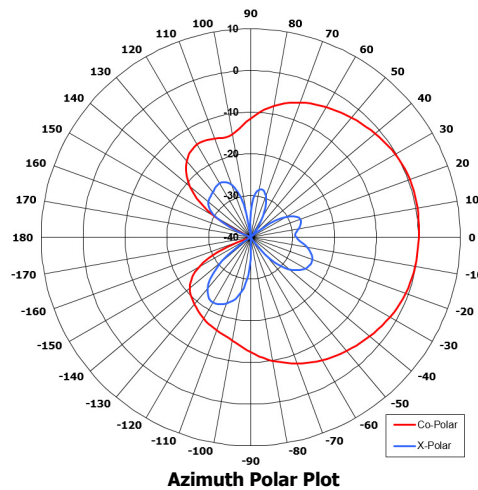
Designed for Electronic Warfare Applications

Suitable for DF Arrays

Pattern - Directional

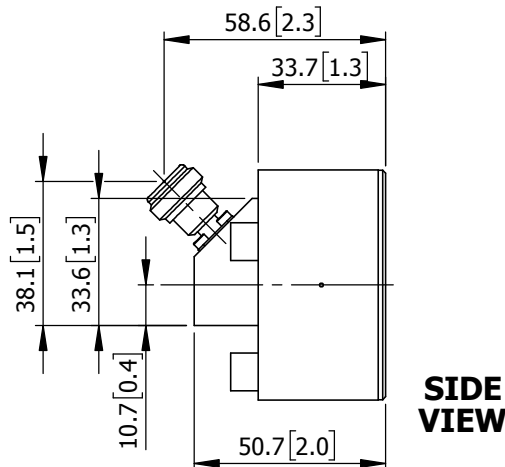
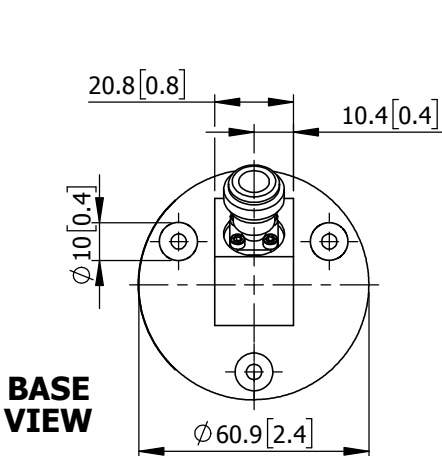
Phase Matching Available

Amplitude Matching Available



ELECTRICAL

Frequency:	2.00 - 18.00 GHz
Gain:	>4 dBiC (2-4 GHz) >2dBiC (6-18 GHz) Nom
Polarisation:	Right Hand Circular
Beamwidth 3 dB:	Approx 75°
Beamwidth 6 dB:	Approx 110°
Axial Ratio:	3.5 Boresight, 4 across HPBW Worst Case
VSWR:	2:1 Over 90% of Band, 3:1 Worst Case
Power Rating:	2-5 W Varies Across Band
Beam Squint:	6° Typ 10° Max



MECHANICAL

Standard Finish:	Black 27038 per Def-Std-595
Mass:	85g (3.0 oz)
Temperature:	-62° to +71°C
Wind Loading:	N/A

MOUNTING OPTIONS

Kits Available: N/A
See Separate Data Sheets

DS: 1362-2 **Issued:** 021018
Dimensions: mm [inches] **M**

Chelton Limited trading as Cobham Antenna Systems, Microwave Antennas

Chelton Limited has a policy of continuous development and stress that the information provided is a guide only and does not constitute an offer or contract or part thereof. Whilst every effort is made to ensure the accuracy of the information contained in this Data Sheet, no responsibility can be accepted for any errors or omissions.

The copyright of antenna designs and images is copyright protected and owned by Chelton Limited.
©Chelton Limited.

For further information please contact:

Cobham Antenna Systems, Microwave Antennas, Lambda House, Cheveley, Newmarket, Suffolk, CB8 9RG, UK

T: +44 (0) 1638 732177
E: newmarket.sales@cobham.com
W: www.cobham.com/antennasystems/microwaveantennas