

EVD2-0.4/1477

COBHAM

Omni Antenna

The most important thing we build is trust

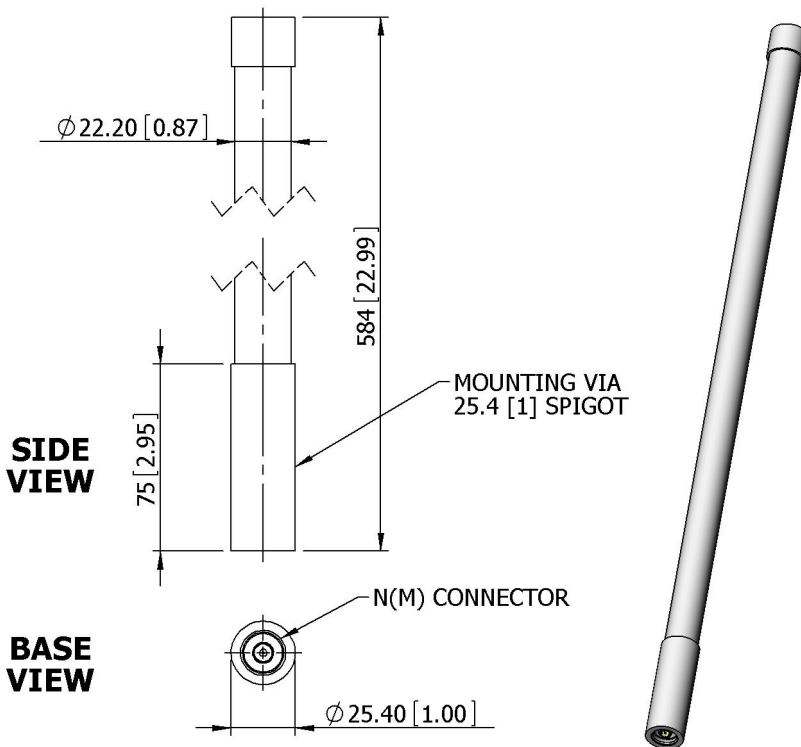
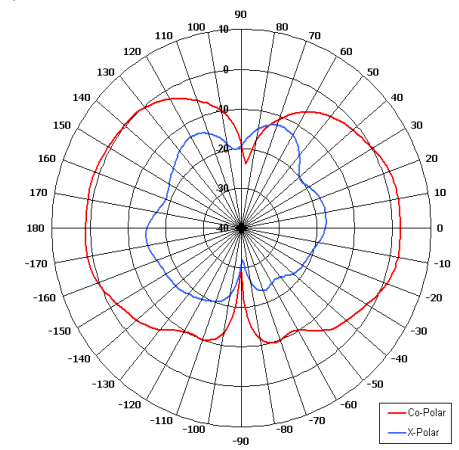
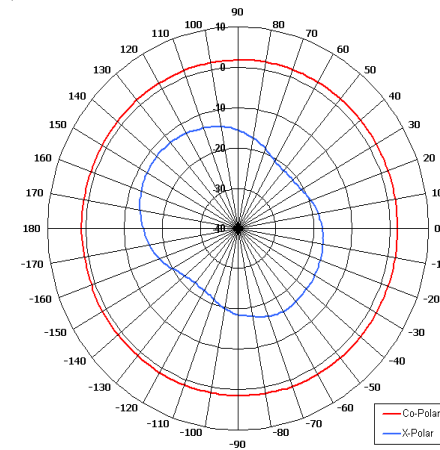
Designed for Security Applications

Low Azimuth Ripple

Suitable for Ground Based Applications

Simple Installation

Ground Plane Independent



GA: 1477

ELECTRICAL

Frequency	416 - 434 MHz
Gain	2.0 dBi Nom
Polarisation	Linear (Vertical)
Beamwidth	360° (Az) x 110° (El) Approx
Cross Polar	15 dB Typ
VSWR	2:1 Max
Power Rating	10 W
Front to Back	N/A

MECHANICAL

Standard Finish	White
Mass	0.23 Kg (0.51 lbs)
Temperature	-20° to +50°C
Wind Loading	1.9 Kg (4.1 lbs) @ 100mph

MOUNTING OPTIONS

Kits Available	MK3254/0428A
----------------	--------------

See separate data sheets

ADDITIONAL NOTES

Issued 080410

European Antennas Limited trading as Cobham Antenna Systems, Microwave Antennas

European Antennas Limited has a policy of continuous development and stress that the information provided is a guide only and does not constitute an offer or contract or part thereof. Whilst every effort is made to ensure the accuracy of the information contained in this brochure, no responsibility can be accepted for any errors or omissions.

The copyright of antenna designs and images is copyright protected and owned by European Antennas Limited.
©European Antennas Limited

For further information please contact:

Cobham Antenna Systems, Microwave Antennas
Lambda House, Cheveley,
Newmarket, Suffolk CB8 9RG, UK.
Tel +44 (0)1638 732 177
Fax +44 (0) 1638 731999
Email newmarket.sales@cobham.com