

# ABA-2.3V/1964

## Aerodynamic Blade Antenna

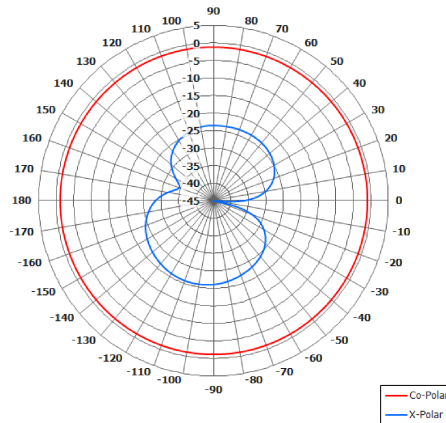


The most important thing we build is trust.

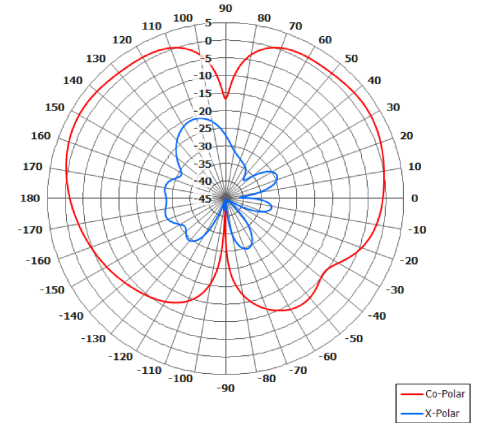
**Pattern - Omni Directional.**

**Suitable for Telemetry applications.**

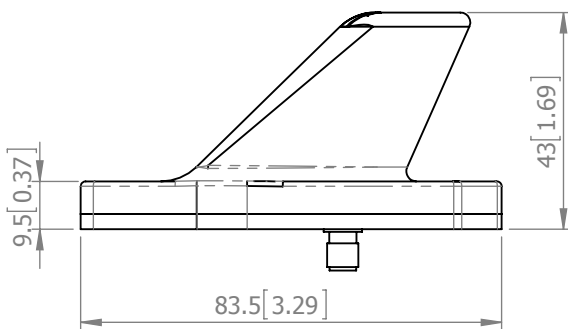
**Rugged.**



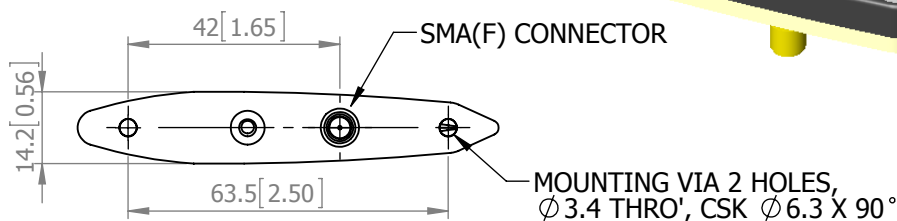
**Azimuth Polar Plot**  
(measured on  $\varnothing$  240mm ground plane)



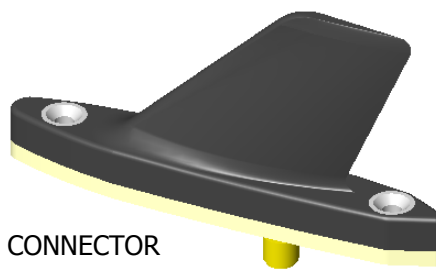
**Elevation Polar Plot**  
(measured on  $\varnothing$  240mm ground plane)



**SIDE VIEW**



**BASE VIEW**



### ELECTRICAL (measured on $\varnothing$ 240mm GP)

<b>Frequency:</b>	2.2 - 2.4 GHz
<b>Gain:</b>	0-3 dBi
<b>Polarisation:</b>	Linear (Vertical)
<b>Beamwidth:</b>	360° (Az) x 70° (El)
<b>Cross Polar:</b>	>20 dB
<b>VSWR:</b>	2:1
<b>Power Rating:</b>	10 W
<b>Front to Back:</b>	N/A
<b>Electrical Tilt:</b>	30° Approx.

### MECHANICAL

<b>Standard Finish</b>	Matt Black
<b>Mass:</b>	20 g (0.70 oz)
<b>Temperature:</b>	-50° to +70°C

### MOUNTING OPTIONS

<b>Kits Available:</b>	None
<b>See Separate Data Sheets</b>	

**GA: 1964-1** Issued: **190716**  
**Dimensions: mm [inches]** X (H,M,L)

European Antennas Limited trading as Cobham Antenna Systems, Microwave Antennas

European Antennas Limited has a policy of continuous development and stress that the information provided is a guide only and does not constitute an offer or contract or part thereof. Whilst every effort is made to ensure the accuracy of the information contained in this datasheet, no responsibility can be accepted for any errors or omissions.

The copyright of antenna designs and images is copyright protected and owned by European Antennas Limited.  
 ©European Antennas Limited.

For further information please contact:

Cobham Antenna Systems, Microwave Antennas

Lambda House, Cheveley,  
 Newmarket, Suffolk. CB8 9RG, UK  
 Tel +44 (0)1638 732177  
 Fax +44 (0)1638 731999  
 E-mail newmarket.sales@cobham.com