

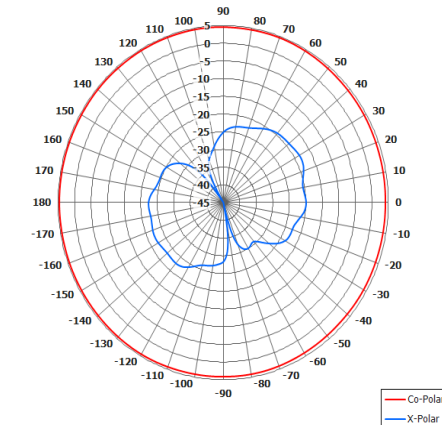
OA4-4.4-5.8V/1976



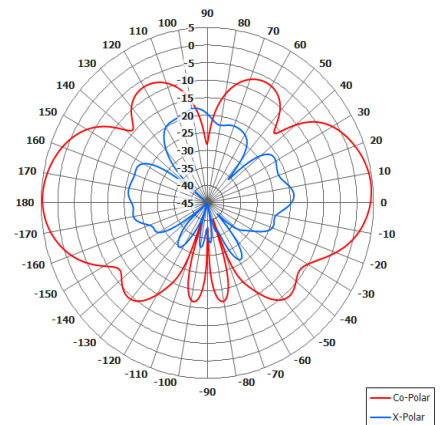
Omni Antenna

The most important thing we build is trust

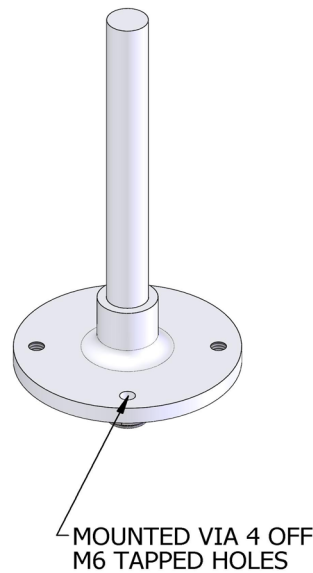
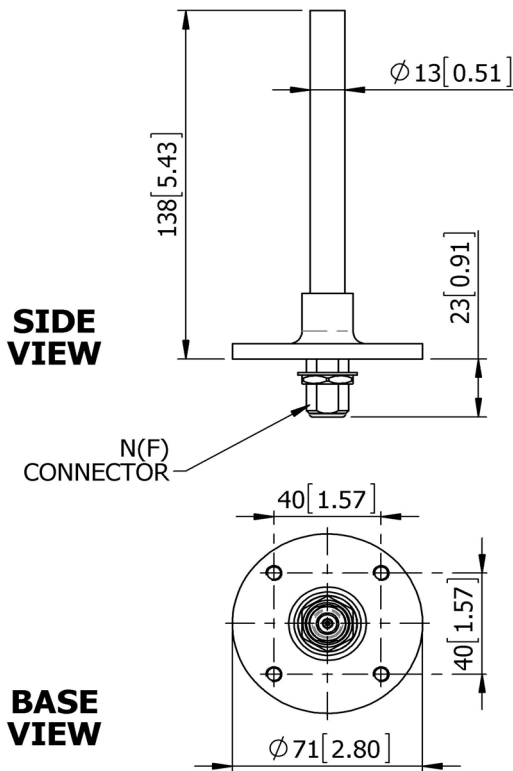
- Wide Band
- Omni Directional Antenna
- High Power
- Lightweight
- Rugged
- Low Profile



Azimuth Pattern



Elevation Pattern



ELECTRICAL

Frequency	4.4 - 5.8 GHz
Gain	4.5 dBi Typ
Polarisation	Linear (Vertical)
Beamwidth	360° (Az) x 35° (El) Approx
Cross Polar	20 dB
VSWR	2:1 Typ, 2.5:1 Max
Power Rating	40 W
Front to Back	N/A

MECHANICAL

Standard Finish	White
Mass	125g (4.4 oz)
Temperature	-40° to +60°C
Wind Loading	N/A

MOUNTING OPTIONS

Kits Available	N/A
See separate data sheets	

ADDITIONAL NOTES

Issued 080515

European Antennas Limited trading as Cobham Antenna Systems, Microwave Antennas

European Antennas Limited has a policy of continuous development and stress that the information provided is a guide only and does not constitute an offer or contract or part thereof. Whilst every effort is made to ensure the accuracy of the information contained in this brochure, no responsibility can be accepted for any errors or omissions.

The copyright of antenna designs and images is copyright protected and owned by European Antennas Limited.
©European Antennas Limited

For further information please contact:

Cobham Antenna Systems, Microwave Antennas
Lambda House, Cheveley,
Newmarket, Suffolk CB8 9RG, UK.
Tel +44 (0)1638 732 177
Fax +44 (0) 1638 731999
Email newmarket.sales@cobham.com