

# SA16-90-4.7VH/2174



## Dual Polar Sector Antenna

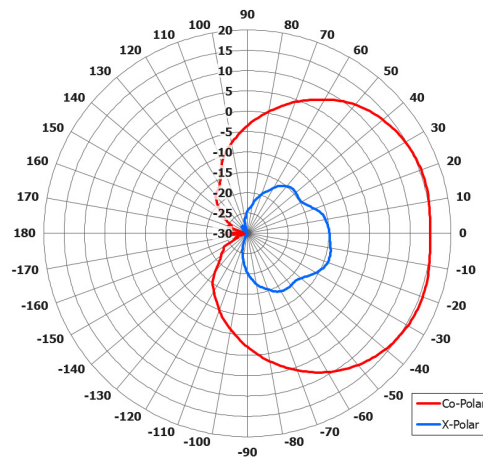
The most important thing we build is trust

### Key Features

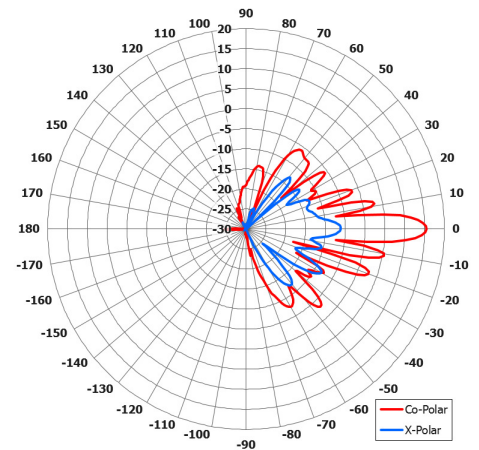
Vertical and Horizontal Polarisations within same aperture

Good Pattern Overlay

UV stable radome which could be painted

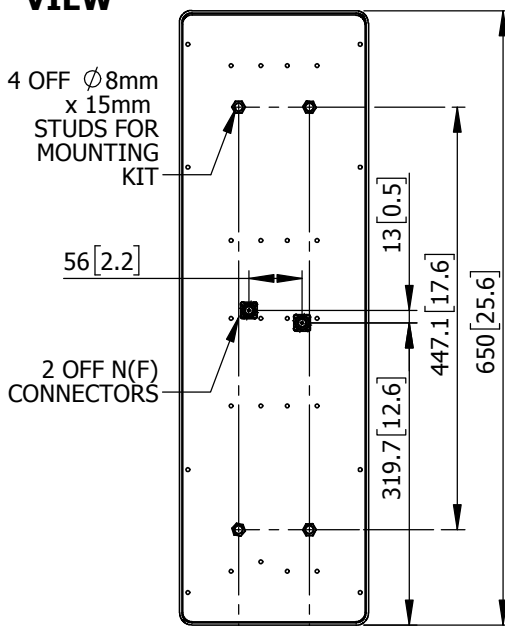


Azimuth Polar Plot (V Port)

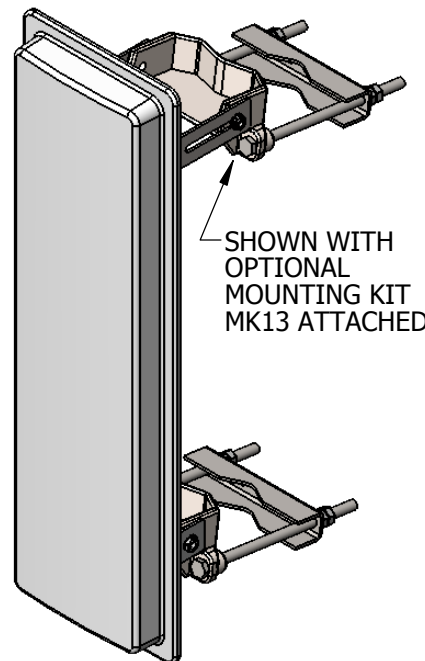
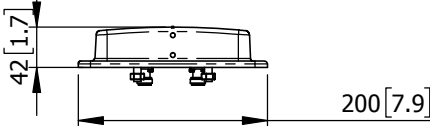


Elevation Polar Plot (V Port)

### REAR VIEW



### BASE VIEW



### ELECTRICAL

Frequency:	4.4-5.0 GHz
Gain:	15.5 dBi Nom.
Polarisation:	Dual Linear (Vertical & Horizontal)
Beamwidth:	90° (Az) x 6-7° (El) Approx.
Cross Polar:	>20 dB
VSWR:	2:1 Max.
Power Rating:	30 W
Front to Back:	>20dB
Electrical Tilt:	0° Nom.
Isolation:	30dB Min.

### MECHANICAL

Standard Finish:	White
Mass:	1.8Kg Approx Excluding Mount
Temperature:	-40° to +60°C
Wind Loading:	21 Kg / 46 lbs @ 100 mph
Wind Survival:	100 mph

### MOUNTING OPTIONS

Kits Available: MK13 Optional  
See Separate Data Sheets

DS: 2174-1 Issued: 010917  
Dimensions: mm [inches] M

Chelton Limited trading as Cobham Antenna Systems, Microwave Antennas

Chelton Limited has a policy of continuous development and stress that the information provided is a guide only and does not constitute an offer or contract or part thereof. Whilst every effort is made to ensure the accuracy of the information contained in this Data Sheet, no responsibility can be accepted for any errors or omissions.

The copyright of antenna designs and images is copyright protected and owned by Chelton Limited.  
©Chelton Limited.

For further information please contact:

Cobham Antenna Systems, Microwave Antennas, Lambda House, Cheveley, Newmarket, Suffolk, CB8 9RG, UK

T: +44 (0) 1638 732177  
E: newmarket.sales@cobham.com  
W: www.cobham.com/antennasystems/microwaveantennas