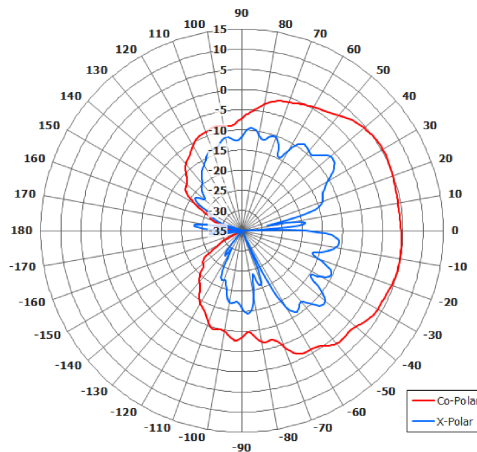


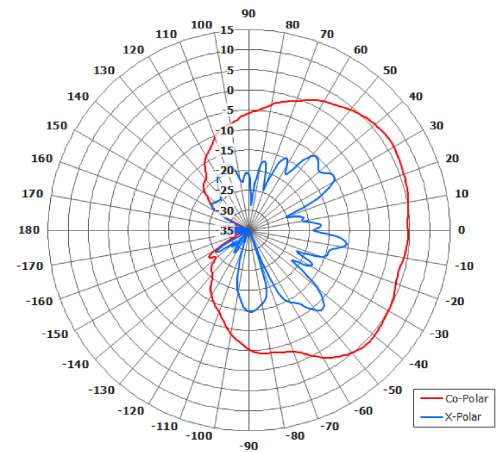
The most important thing we build is trust

Key Features

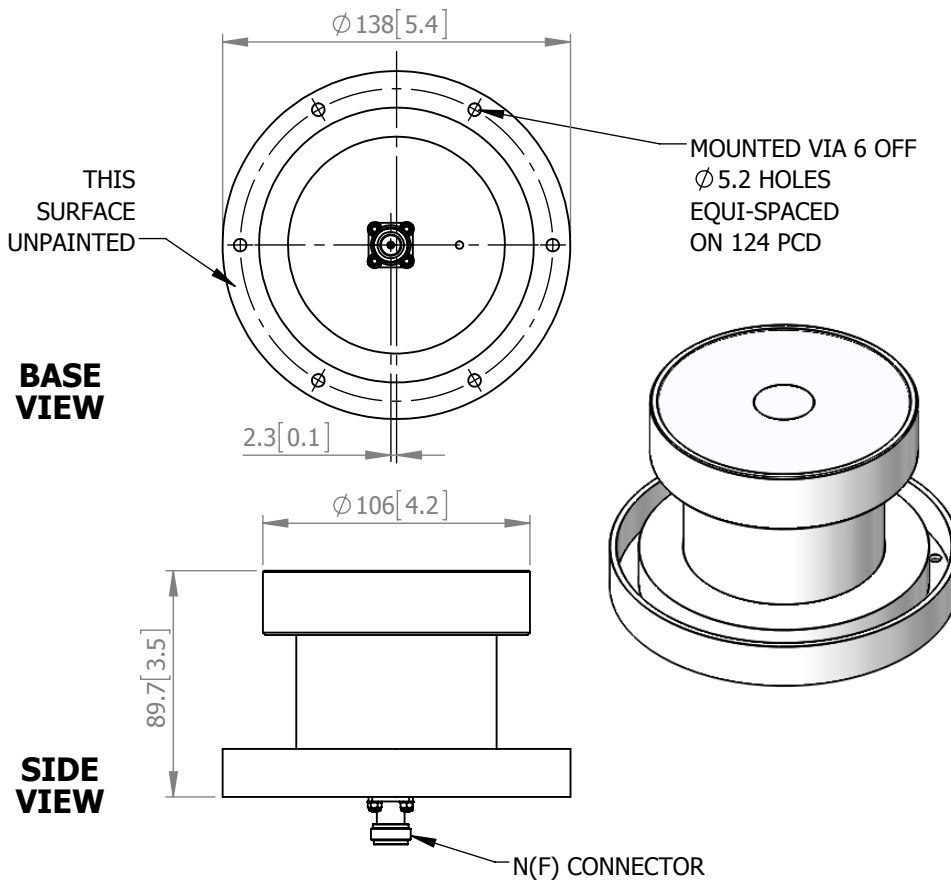
- Designed MIL Standards
- Right Hand Circular Polarised
- Wideband
- High Power



Azimuth Polar Plot



Elevation Polar Plot



ELECTRICAL

Frequency:	2.0 - 6.0 GHz
Gain:	7 dBIC Typ.
Polarisation:	Right Hand Circular
Beamwidth:	70° (Az) x 70° (El) Approx
Axial Ratio:	3 dB Typ.
VSWR:	2:1 Typ, 2.5:1 Max.
Power Rating:	100 W CW
Front to Back:	>20 dB

MECHANICAL

Standard Finish	White
Mass:	622g / 1.37 lbs
Temperature:	-20° to +50°C
Wind Loading:	2.4 Kg / 5.3 lbs @ 100 mph

Environmental Qual

MIL-STD-810G:	Temperature High-Low
	Temperature / Altitude
	Temperature Shock
	Humidity
	Acceleration
	Vibration
	Mechanical Shock

DS: 2231-1 **Issued: 220316**
Dimensions: mm [inches] M

Chelton Limited trading as Cobham Antenna Systems, Microwave Antennas

Chelton Limited has a policy of continuous development and stress that the information provided is a guide only and does not constitute an offer or contract or part thereof. Whilst every effort is made to ensure the accuracy of the information contained in this Data Sheet, no responsibility can be accepted for any errors or omissions.

The copyright of antenna designs and images is copyright protected and owned by Chelton Limited.
 ©Chelton Limited.

For further information please contact:

Cobham Antenna Systems, Microwave Antennas, Lambda House, Cheveley, Newmarket, Suffolk, CB8 9RG, UK

T: +44 (0) 1638 732177
 E: newmarket.sales@cobham.com
 W: www.cobham.com/antennasystems/microwaveantennas