

FPA7-2.9V/2317

Low Profile Antenna

COBHAM

The most important thing we build is trust

Key Features

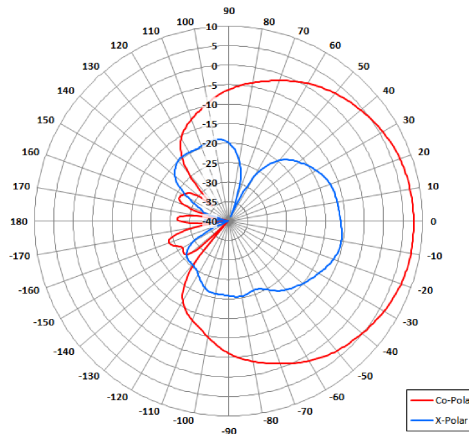
Pattern - Directional

Vertical Polarisation

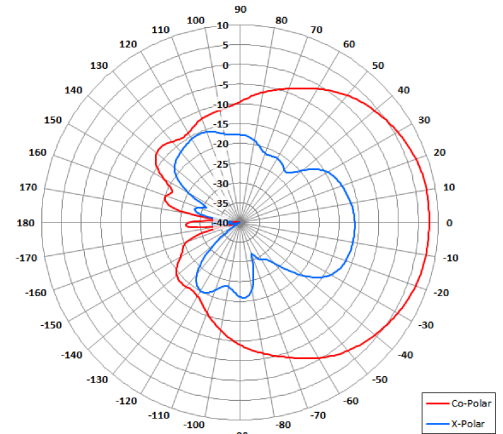
Designed for Tactical Comms Applications

Suitable for Outdoor Applications

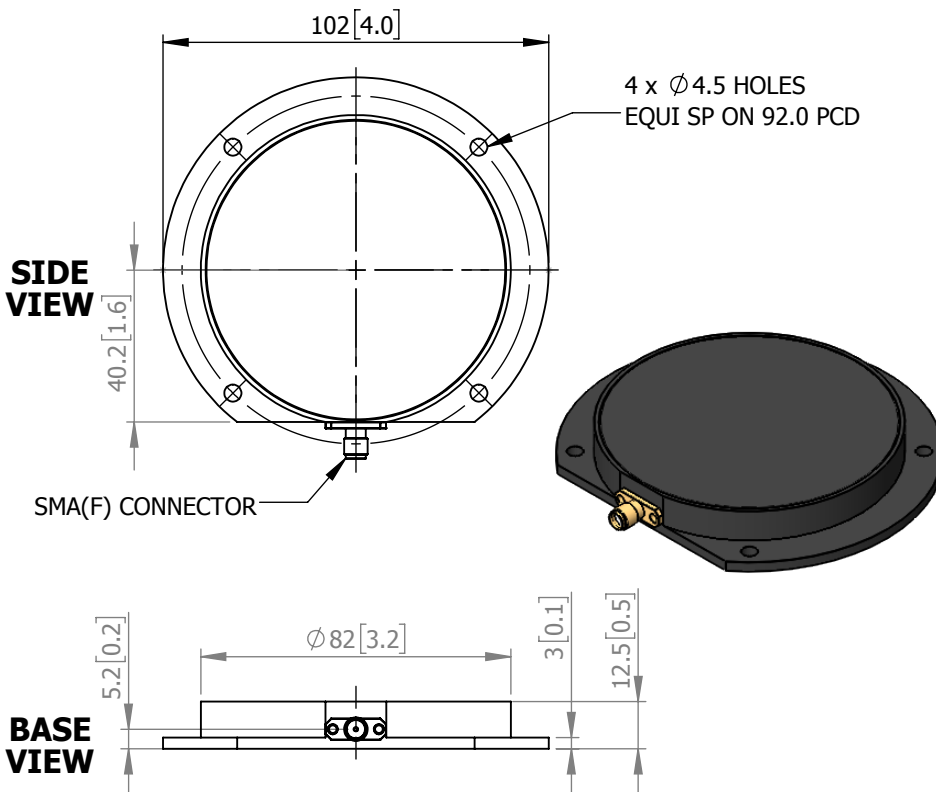
Low Profile



Azimuth Polar Plot
(similar product)



Elevation Polar Plot
(similar product)



ELECTRICAL

Frequency: 2.7-3.0 GHz

Gain: 8.0 dBi Nom.

Polarisation: Linear (Vertical)

Beamwidth: 75° (Az) x 70° (El)

Cross Polar: >15 dB

VSWR: 1.5:1 Max

Power Rating: 10 W

Front to Back: > 25 dB

MECHANICAL

Standard Finish Matt Black

Mass: 0.12 Kg / 0.26 lbs

Temperature: -20° to +50°C

Wind Loading: 1.19 Kg / 2.63 lbs @ 100 mph

MOUNTING OPTIONS

Kits Available: N/A

See Separate Data Sheets

DS: 2317-1 Issued: 300916

Dimensions: mm [inches] L

Chelton Limited trading as Cobham Antenna Systems, Microwave Antennas

Chelton Limited has a policy of continuous development and stress that the information provided is a guide only and does not constitute an offer or contract or part thereof. Whilst every effort is made to ensure the accuracy of the information contained in this Data Sheet, no responsibility can be accepted for any errors or omissions.

The copyright of antenna designs and images is copyright protected and owned by Chelton Limited.
©Chelton Limited.

For further information please contact:

Cobham Antenna Systems, Microwave Antennas, Lambda House, Cheveley, Newmarket, Suffolk, CB8 9RG, UK

T: +44 (0) 1638 732177

E: newmarket.sales@cobham.com

W: www.cobham.com/antennasystems/microwaveantennas