

FPA7-0.7-4.0L/2421

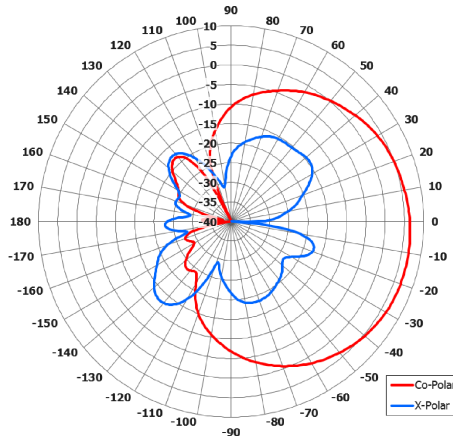
Directional Antenna

COBHAM

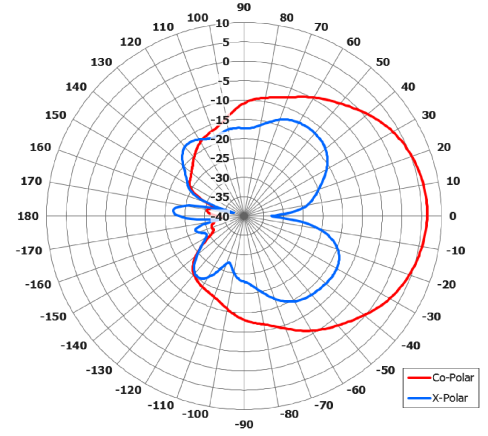
The most important thing we build is trust

Key Features

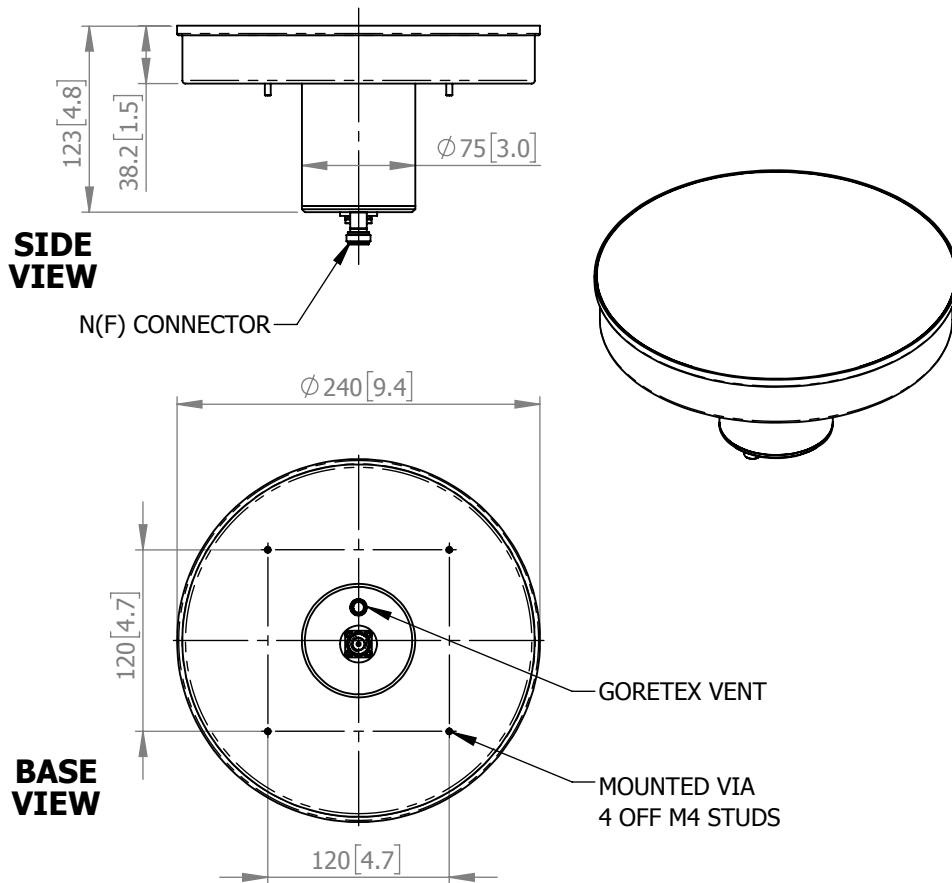
- High Gain
- High Power
- Directional Pattern
- Heavy Duty Design



Azimuth Polar Plot



Elevation Polar Plot



ELECTRICAL

Frequency:	700 - 4000 MHz
Gain:	2-9 dBiC Typ.
Polarisation:	Left Hand Circular
Beamwidth:	70° (Az) x 70° (El) Typ.
Axial Ratio:	4 dB Max.
VSWR:	<2:1 Typ, 2.5:1 Max.
Power Rating:	50 W CW

MECHANICAL

Standard Finish	Black
Mass:	0.79 kg / 1.74 lbs Approx.
Temperature:	-55° to +60°C
Wind Loading:	3.98 Kg / 8.75 lbs @ 100 mph

MOUNTING OPTIONS

Kits Available:	N/A
-----------------	-----

DS: 2421-2 Issued: 110419
Dimensions: mm [inches] M

Chelton Limited trading as Cobham Antenna Systems, Microwave Antennas

Chelton Limited has a policy of continuous development and stress that the information provided is a guide only and does not constitute an offer or contract or part thereof. Whilst every effort is made to ensure the accuracy of the information contained in this Data Sheet, no responsibility can be accepted for any errors or omissions.

The copyright of antenna designs and images is copyright protected and owned by Chelton Limited.
©Chelton Limited.

For further information please contact:

Cobham Antenna Systems, Microwave Antennas, Lambda House, Cheveley, Newmarket, Suffolk, CB8 9RG, UK

T: +44 (0) 1638 732177
E: newmarket.sales@cobham.com
W: www.cobham.com/antennasystems/microwaveantennas