

# FPA7-2.4V/2330

## Rugged Directional Antenna

# COBHAM

The most important thing we build is trust

### Key Features

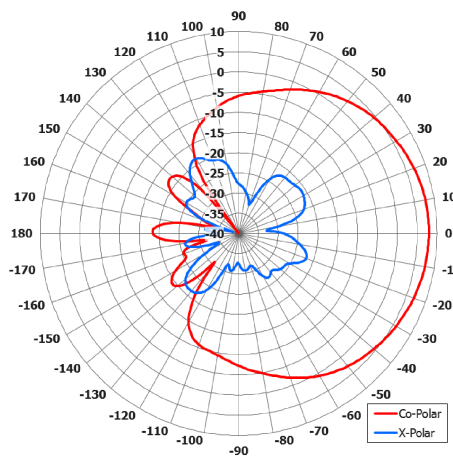
Suitable for Multiple Applications

Heavy Duty

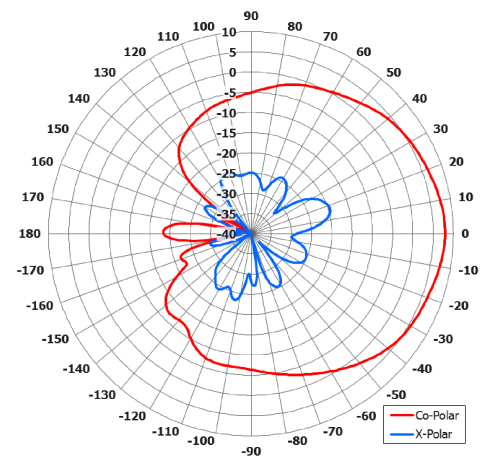
Fire Retardant

IP67 Rated

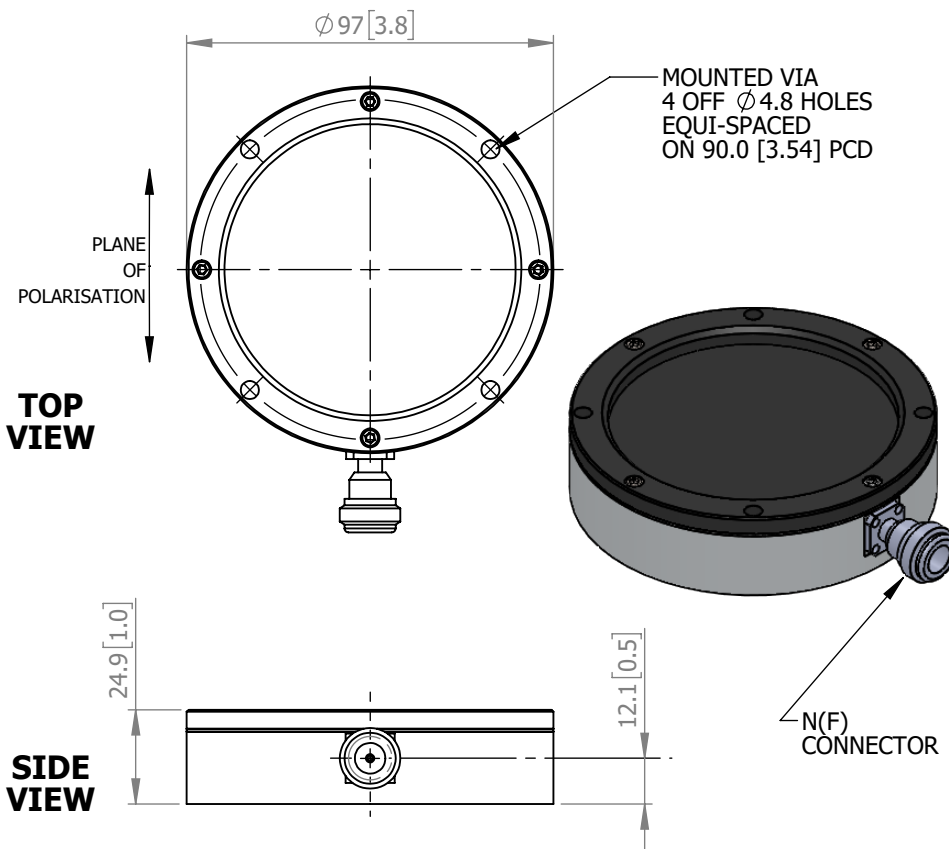
Designed to Meet EN50155



Azimuth Polar Plot



Elevation Polar Plot



### ELECTRICAL

Frequency: 2.34 - 2.48 GHz

Gain: 8 dBi Typ.

Polarisation: Linear (Vertical)

Beamwidth: 75° (Az) x 73° (El) Approx.

Cross Polar: >20 dB

VSWR: 1.5:1

Power Rating: 10 W

Front to Back: >30 dB

Electrical Tilt: N/A

### MECHANICAL

Standard Finish Black Radome

Mass: 300 g / 10.58 oz

Temperature: -40° to +60°C

Wind Loading: 1.2 Kg / 2.6 lbs @ 100 mph

### MOUNTING OPTIONS

Kits Available: N/A

See Separate Data Sheets

### NOTES

DC Grounded

DS: 2330-1 Issued: 030918

Dimensions: mm [inches] M

Chelton Limited trading as Cobham Antenna Systems, Microwave Antennas

Chelton Limited has a policy of continuous development and stress that the information provided is a guide only and does not constitute an offer or contract or part thereof. Whilst every effort is made to ensure the accuracy of the information contained in this Data Sheet, no responsibility can be accepted for any errors or omissions.

The copyright of antenna designs and images is copyright protected and owned by Chelton Limited.  
©Chelton Limited.

For further information please contact:

Cobham Antenna Systems, Microwave Antennas, Lambda House, Cheveley, Newmarket, Suffolk, CB8 9RG, UK

T: +44 (0) 1638 732177

E: [newmarket.sales@cobham.com](mailto:newmarket.sales@cobham.com)

W: [www.cobham.com/antennasystems/microwaveantennas](http://www.cobham.com/antennasystems/microwaveantennas)