

Omni Antenna

The most important thing we build is trust

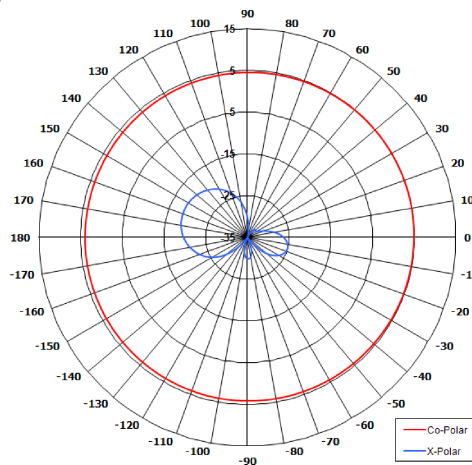
Key Features

LINK 16

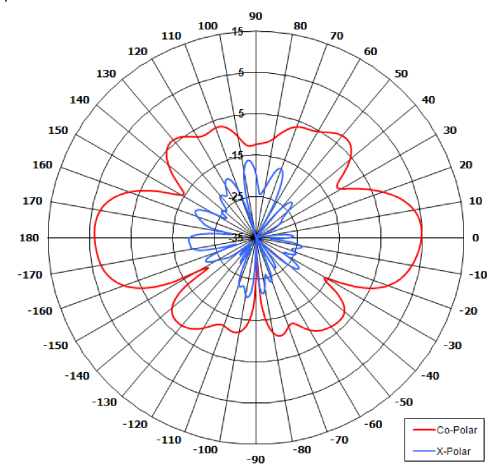
Suitable for marine environment

Wide elevation beamwidth

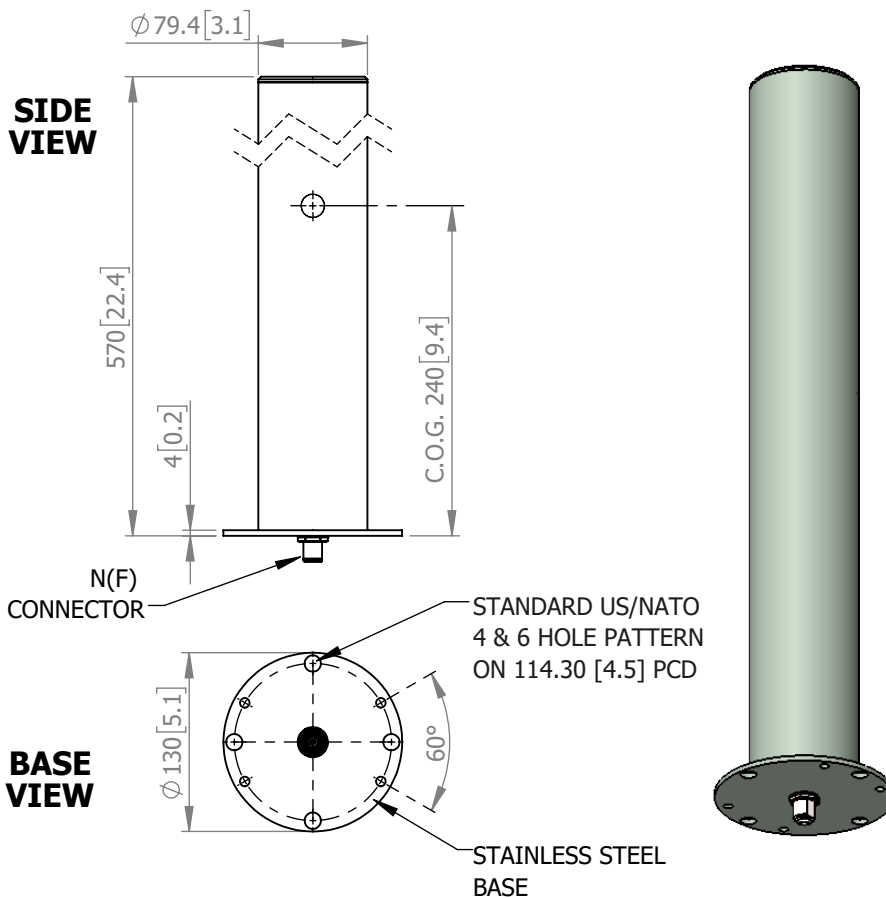
Low azimuth ripple



Azimuth Polar Plot



Elevation Polar Plot



ELECTRICAL

Frequency:	960 to 1215 MHz
Gain:	4 dBi Nom.
Polarisation:	Vertical
Beamwidth:	360° (Az) x 33° (El) Approx.
Cross Polar:	>20 dB Typ.
VSWR:	2:1 Max, <1.5:1 Typ.
Power Rating:	200 W @ 50% duty
Impedance:	50 Ohms
DC Grounding:	DC Grounded

MECHANICAL

Standard Finish:	Marine grade paint grey
Mass:	2.4 Kg (5.29 lbs) Approx.
Temperature:	-40 to +50°C
Wind Loading:	8.2 Kg (18 lbs) @ 100 mph
Ice Load:	20mm all over @ 100 mph max.

MOUNTING OPTIONS

Kits Available: N/A

GA: 1990-3 **Issued: 030321**
Dimensions: mm [inches]

Chelton Limited trading as Cobham Antenna Systems, Microwave Antennas

Chelton Limited has a policy of continuous development and stress that the information provided is a guide only and does not constitute an offer or contract or part thereof. Whilst every effort is made to ensure the accuracy of the information contained in this Data Sheet, no responsibility can be accepted for any errors or omissions.

The copyright of antenna designs and images is copyright protected and owned by Chelton Limited.
 ©Chelton Limited.

For further information please contact:

Cobham Antenna Systems, Microwave Antennas, Lambda House, Cheveley, Newmarket, Suffolk, CB8 9RG, UK

T: +44 (0) 1638 732177
 E: newmarket.sales@cobham.com
 W: www.cobham.com/antennasystems/microwaveantennas