

# SVD2-1380-HDSMA/320



## Omni Antenna

The most important thing we build is trust

### Key Features:

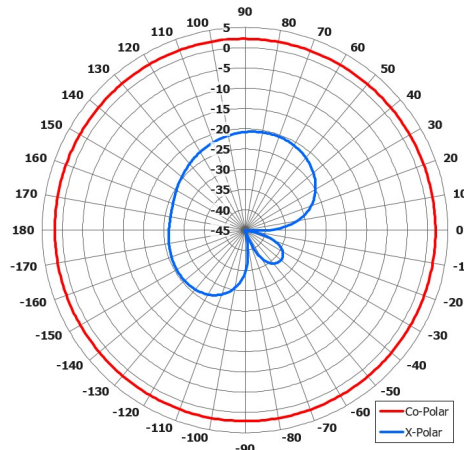
Suitable for multiple applications

Compact

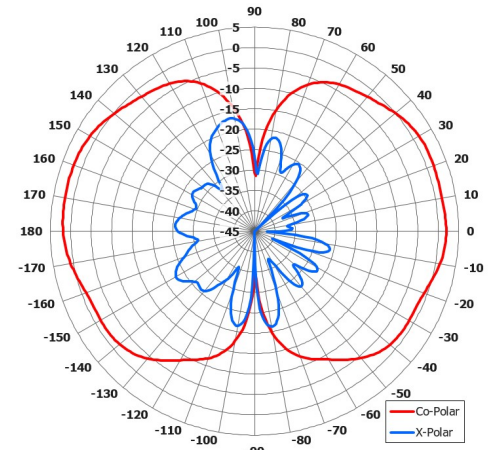
Lightweight

Ground plane independent

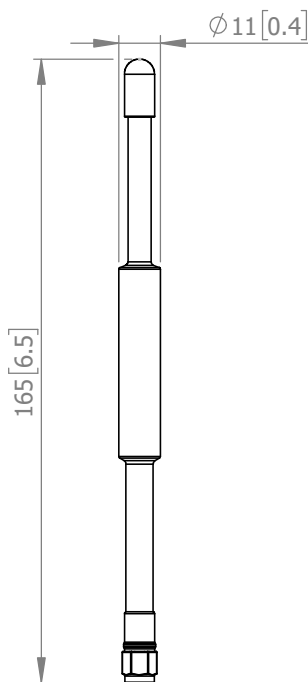
NATO Stock Number:  
5985-99-087-5067



Azimuth Polar Plot  
(@1.36 GHz)



Elevation Polar Plot  
(@1.36 GHz)



**SIDE  
VIEW**



**BASE  
VIEW**



SMA(M) CONNECTOR

### ELECTRICAL

Frequency: 1.32 to 1.44 GHz

Gain: 1.5 dBi Nom.

Polarisation: Vertical

Beamwidth: 360° (Az) x 60° (El)

VSWR: 2:1 Typ, 2.5:1 Max.

Power Rating: 50 W

### MECHANICAL

Standard Finish: Black

Mass: 20 g / 0.71 oz

Temperature: -20 to +50°C

### MOUNTING OPTIONS

Kits Available: N/A

DS: 0320-2 Issued: 260321

Dimensions: mm [inches]

Chelton Limited trading as Cobham Antenna Systems, Microwave Antennas

Chelton Limited has a policy of continuous development and stress that the information provided is a guide only and does not constitute an offer or contract or part thereof. Whilst every effort is made to ensure the accuracy of the information contained in this Data Sheet, no responsibility can be accepted for any errors or omissions.

The copyright of antenna designs and images is copyright protected and owned by Chelton Limited.  
©Chelton Limited.

For further information please contact:

Cobham Antenna Systems, Microwave Antennas, Lambda House, Cheveley, Newmarket, Suffolk, CB8 9RG, UK

T: +44 (0) 1638 732177

E: [newmarket.sales@cobham.com](mailto:newmarket.sales@cobham.com)

W: [www.cobham.com/antennasystems/microwaveantennas](http://www.cobham.com/antennasystems/microwaveantennas)