

OA1-5.5V/1908

Omni Antenna



Key Features

Designed for Aviation Applications

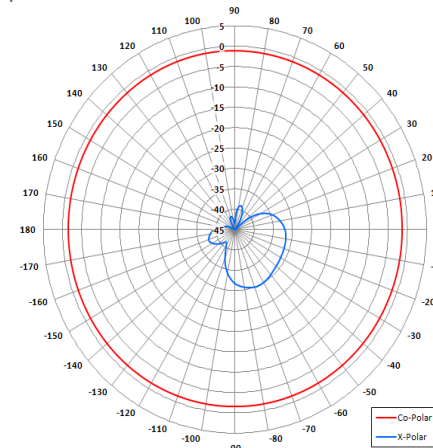
Wide Band

Pattern - Omni Directional

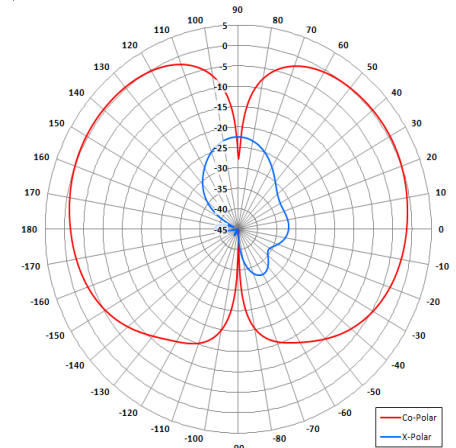
Rugged

Low Profile

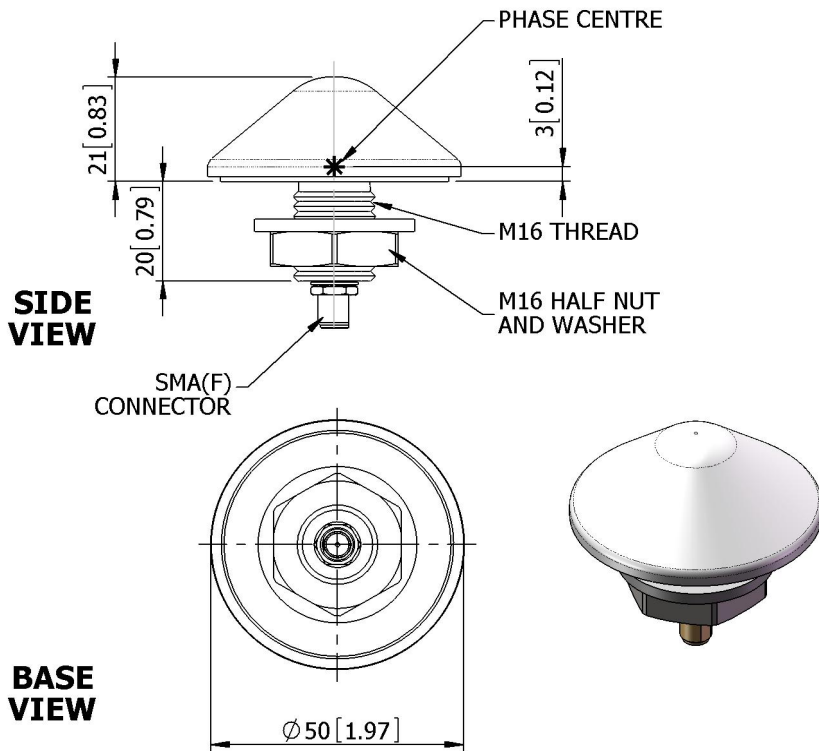
Lightweight



Azimuth Pattern



Elevation Pattern



BASE VIEW

GA: 1908

ELECTRICAL

| | |
|-----------------|-------------------------------|
| Frequency | 5.25 - 5.875 GHz |
| Gain | 0 - 2 dBi Nom |
| Polarisation | Linear (Vertical) |
| Beamwidth | 360° (Az) x 82° (El) Approx |
| Cross Polar | 30 dB Typ |
| VSWR | 2:1 |
| Power Rating | 10 W |
| Front to Back | N/A |
| Electrical Tilt | 38° Typical Uptilt (monopole) |

MECHANICAL

| | |
|-----------------|---------------|
| Standard Finish | Gloss White |
| Mass | 75g (2.64 oz) |
| Temperature | -40° to +60°C |
| Wind Loading | N/A |

MOUNTING OPTIONS

Kits Available Via M16 half nut bulk head attachment

See separate data sheets

ADDITIONAL NOTES

Issued 280515

Chelton Limited has a policy of continuous development and stress that the information provided is a guide only and does not constitute an offer or contract or part thereof. Whilst every effort is made to ensure the accuracy of the information contained in this brochure, no responsibility can be accepted for any errors or omissions.

The copyright of antenna designs and images is copyright protected and owned by Chelton Limited.
©Chelton Limited

For further information please contact:

Chelton Limited,
Lambda House, Cheveley,
Newmarket, Suffolk CB8 9RG, UK.
T: +44 (0)1638 732 177
E: newmarket.sales@chelton.com
W: www.chelton.com/microwave