

XV07-960-1215/1120

Omni Antenna



Key Features

Designed for LINK16 Applications

High Gain

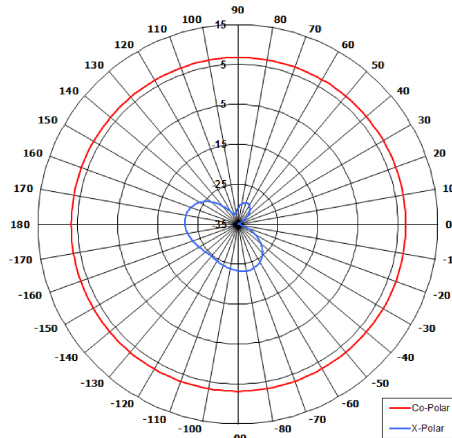
Low Azimuth Ripple

Wide Band

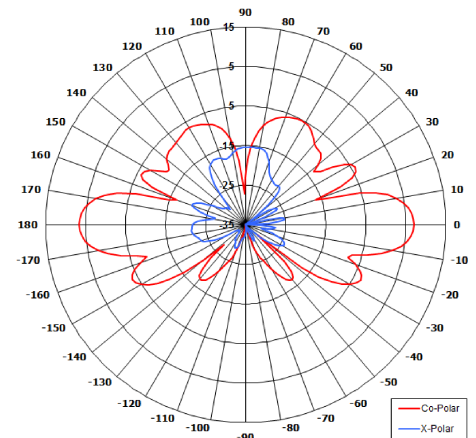
Rugged

NATO Stock Number:

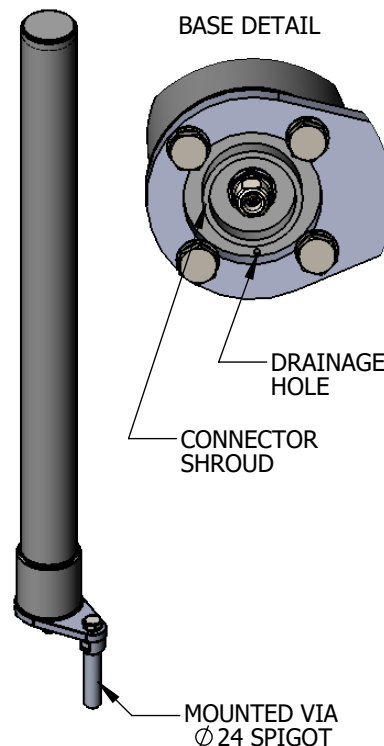
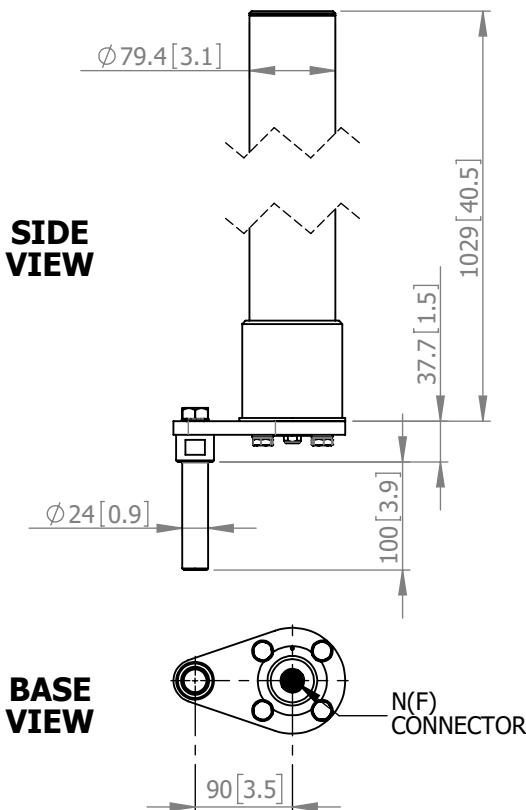
5985997586585



Azimuth Polar Plot



Elevation Polar Plot



ELECTRICAL

Frequency:	960 - 1215 MHz
Gain:	7 dBi Nom.
Polarisation:	Linear (Vertical)
Beamwidth:	360° (Az) x 16.5° (El) Approx.
Cross Polar:	25 dB Typ.
VSWR:	2:1 Max, 1.5:1 Typ.
Power Rating:	200 W @ 50% Duty
Electrical Tilt:	0.5° Uptilt
DC Grounding:	DC Grounded
Impedance:	50 Ohms

MECHANICAL

Standard Finish:	Gloss Grey
Mass:	2.5 Kg / 5.5 lbs
Temperature:	-40° to +50°C
Wind Loading:	13.2 Kg / 29.04 lbs @ 100 mph
Ice Load:	25mm all over @ 100 mph Max

MOUNTING OPTIONS

Kits Available: MK2C - Pole Mount
See Separate Data Sheets

DS: 1120i7 **Issued:** 220118
Dimensions: mm [inches] **H**

Chelton Limited has a policy of continuous development and stress that the information provided is a guide only and does not constitute an offer or contract or part thereof. Whilst every effort is made to ensure the accuracy of the information contained in this brochure, no responsibility can be accepted for any errors or omissions.

The copyright of antenna designs and images is copyright protected and owned by Chelton Limited.
 ©Chelton Limited

For further information please contact:
 Chelton Limited,
 Lambda House, Cheveley,
 Newmarket, Suffolk CB8 9RG, UK.
 T: +44 (0)1638 732 177
 E: newmarket.sales@chelton.com
 W: www.chelton.com/microwave