

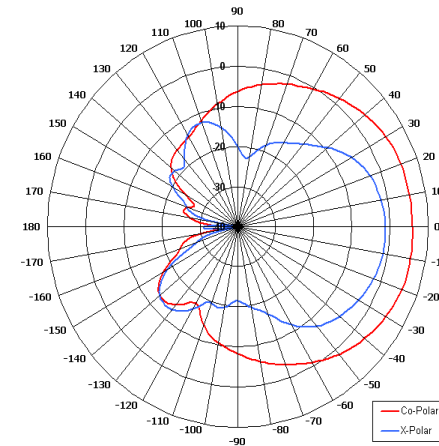
# LPA7-23L/686

Directional Antenna

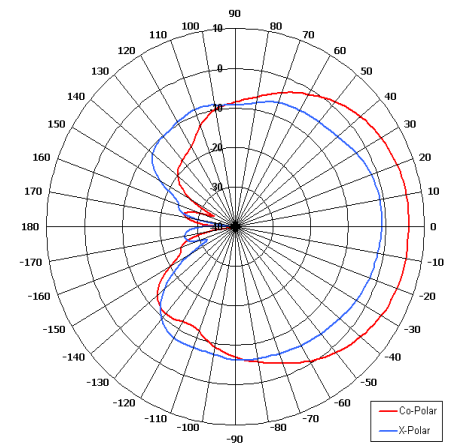


## Key Features

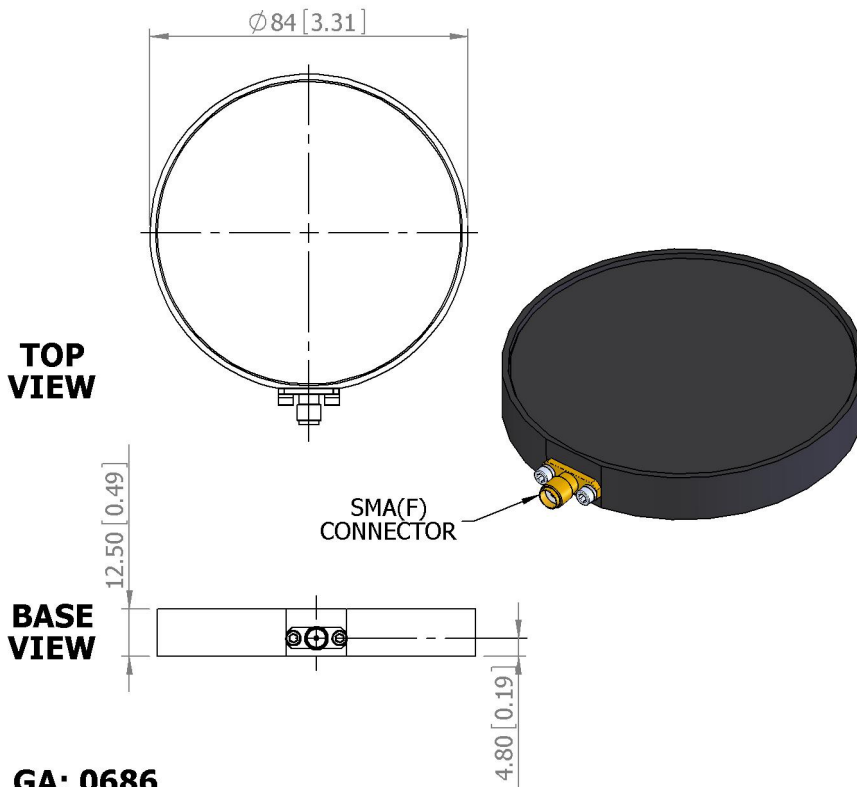
- Designed for Security Applications
- Suitable for Multiple Applications
- Wide Band
- Left Hand Circular Polarised
- Low Profile
- Lightweight



Azimuth Pattern



Elevation Pattern



## ELECTRICAL

Frequency	2.10 - 2.50 GHz
Gain	6-8 dBiC Nom
Polarisation	Left Hand Circular
Beamwidth	80° (Az) x 80° (El) Approx
Axial Ratio	4 dB Typ
VSWR	2:1 Max
Power Rating	10 W
Front to Back	20 dB Typ

## MECHANICAL

Standard Finish	Matt Black
Mass	91 g (3.3 oz)
Temperature	-20° to +50°C
Wind Loading	0.96 Kg (2.0 lbs) @ 100 mph

## MOUNTING OPTIONS

Kits Available	N/A
See separate data sheets	

## ADDITIONAL NOTES

Issued 181110

Chelton Limited has a policy of continuous development and stress that the information provided is a guide only and does not constitute an offer or contract or part thereof. Whilst every effort is made to ensure the accuracy of the information contained in this brochure, no responsibility can be accepted for any errors or omissions.

The copyright of antenna designs and images is copyright protected and owned by Chelton Limited.  
©Chelton Limited

For further information please contact:  
Chelton Limited,  
Lambda House, Cheveley,  
Newmarket, Suffolk CB8 9RG, UK.  
T: +44 (0)1638 732 177  
E: newmarket.sales@chelton.com  
W: www.chelton.com/microwave