

# XVO4-960-1215/1425

Link 16 Omni Antenna



## Key Features

Designed for LINK16 Applications

Wide Band

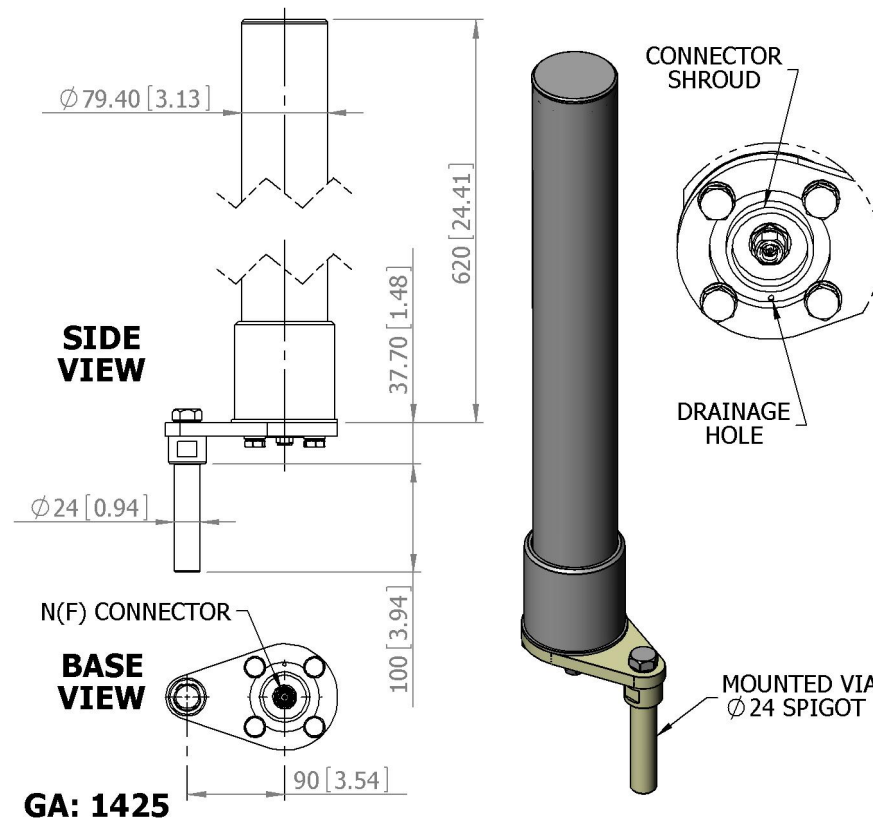
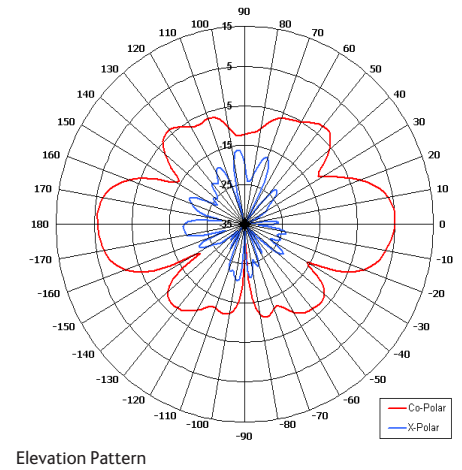
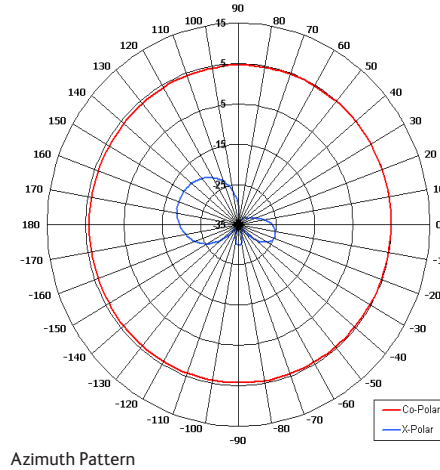
Low Azimuth Ripple

Suitable for Mobile Applications

Suitable for Ground Based

Applications Rugged

NATO STOCK NO: 5985991908940



## ELECTRICAL

Frequency	960 - 1215 MHz
Gain	4.5 dBi Typ
Polarisation	Linear (Vertical)
Beamwidth	360° (Az) x 33° (El) Typ
Cross Polar	>20 dB Typ
VSWR	2:1 max, <1.5:1 Typ
Power Rating	200W @ 50% Duty
Impedance	50 Ohms
D C Grounding	D C Grounded

## MECHANICAL

Standard Finish	Gloss Grey (RAL 7001)
Mass	2.2 Kg (4.84 lbs)
Temperature	-40° to +50°C
Wind Loading	8.2 Kg(18 lbs) @ 100mph
Ice Load	25mm all over @ 100 mph max

## MOUNTING OPTIONS

Kits Available	N/A
See separate data sheets	

## ADDITIONAL NOTES

Issued 110412

Chelton Limited has a policy of continuous development and stress that the information provided is a guide only and does not constitute an offer or contract or part thereof. Whilst every effort is made to ensure the accuracy of the information contained in this brochure, no responsibility can be accepted for any errors or omissions.

The copyright of antenna designs and images is copyright protected and owned by Chelton Limited.  
©Chelton Limited

For further information please contact:  
Chelton Limited,  
Lambda House, Cheveley,  
Newmarket, Suffolk CB8 9RG, UK.  
T: +44 (0)1638 732 177  
E: newmarket.sales@chelton.com  
W: www.chelton.com/microwave