

OA9-5.3V/2094

Omni Antenna



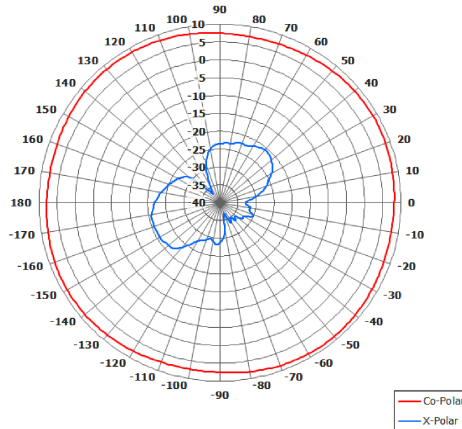
### Key Features

Suitable for Multiple applications

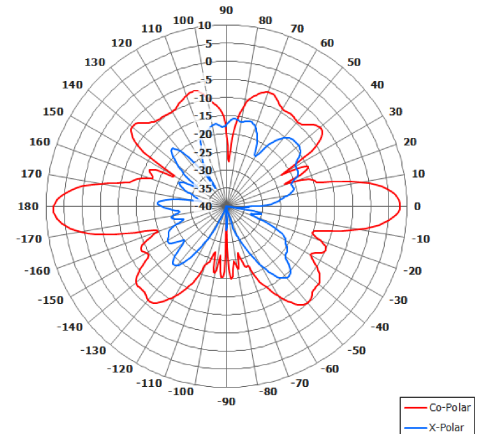
Vertical Polarisation

Suitable for Outdoor applications

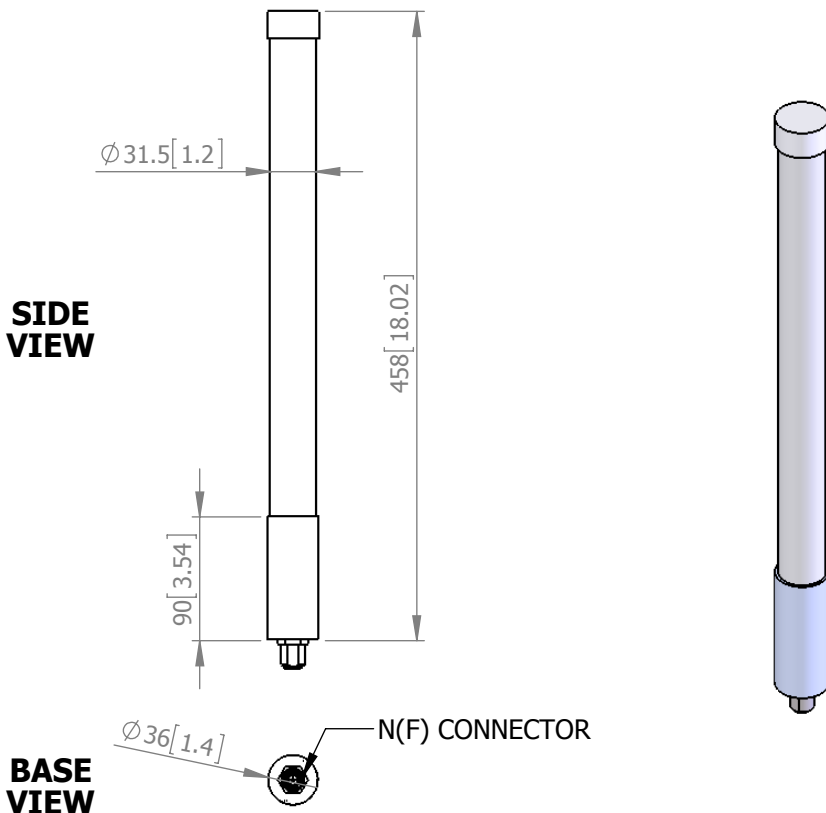
Rugged



Azimuth Polar Plot (similar product)



Elevation Polar Plot (similar product)



### ELECTRICAL

Frequency:	5.1 - 5.5 GHz
Gain:	9 dBi Nom.
Polarisation:	Linear (Vertical)
Beamwidth:	360° (Az) x 11° (El) Approx.
Cross Polar:	>25 dB
VSWR:	2:1 Max. 1.5:1 Typ.
Power Rating:	50 W
Front to Back:	N/A
Electrical Tilt:	0°

### MECHANICAL

Standard Finish:	White
Mass:	280 g (9.9 oz)
Temperature:	-40° to +60° C
Wind Loading:	2.3 Kg (5.1 lbs) @ 100 mph

### MOUNTING OPTIONS

Kits Available:	MK4/A
See Separate Data Sheets	

GA: 2094-1 Issued: 020115  
Dimensions: mm [inches] M

Chelton Limited has a policy of continuous development and stress that the information provided is a guide only and does not constitute an offer or contract or part thereof. Whilst every effort is made to ensure the accuracy of the information contained in this brochure, no responsibility can be accepted for any errors or omissions.

The copyright of antenna designs and images is copyright protected and owned by Chelton Limited.  
©Chelton Limited

For further information please contact:  
Chelton Limited,  
Lambda House, Cheveley,  
Newmarket, Suffolk CB8 9RG, UK.  
T: +44 (0)1638 732 177  
E: newmarket.sales@chelton.com  
W: www.chelton.com/microwave