

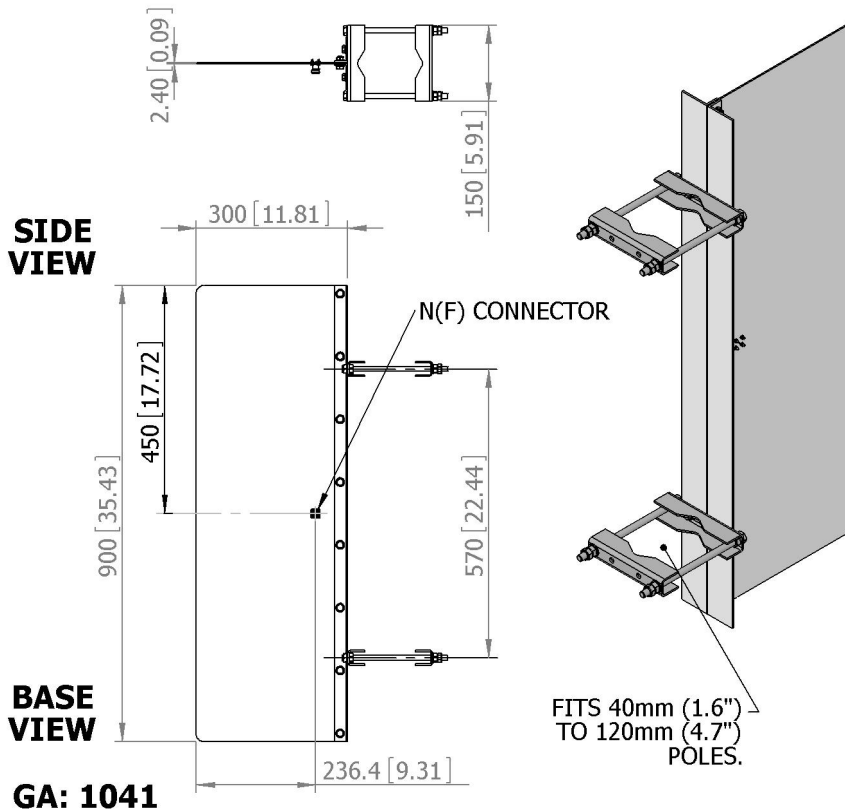
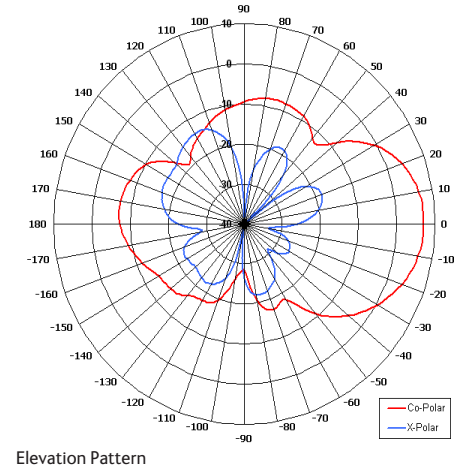
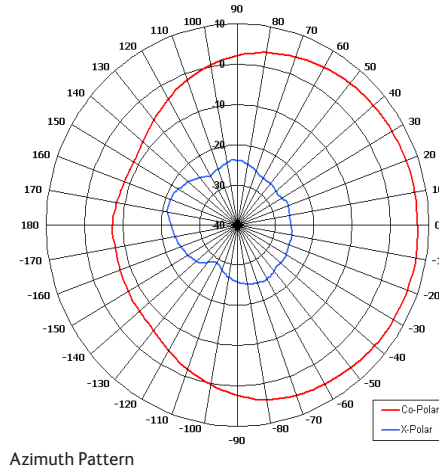
SA7-150-435V/1041

Sector Antenna



Key Features

- Designed for UAV Data Link
- Applications Suitable for Ground Based Applications
- Wide Band
- Vertical Polarisation
- Low Profile



ELECTRICAL

| | |
|---------------|---|
| Frequency | 400 - 470 MHz |
| Gain | 4 dBi Average, 7 dBi Peak (see note) |
| Polarisation | Linear (Vertical) |
| Beamwidth | 150° (Az) x 40° (El) Approx (see note) |
| Cross Polar | 15 dB Typ |
| VSWR | 1.5:1 |
| Power Rating | 150W |
| Front to Back | 12 dB Typ |

MECHANICAL

| | |
|-----------------|-----------------------------|
| Standard Finish | Heavy Duty White |
| Mass | 4.2 Kg (9.2 lbs) |
| Temperature | -20° to +50°C |
| Wind Loading | 43.8 Kg (96.4 lbs) @ 100mph |

MOUNTING OPTIONS

| | |
|--------------------------|----------|
| Kits Available | Supplied |
| See separate data sheets | |

ADDITIONAL NOTES

Minimum Gain >1 dBi @ 200° Az

Issued 091210

Chelton Limited has a policy of continuous development and stress that the information provided is a guide only and does not constitute an offer or contract or part thereof. Whilst every effort is made to ensure the accuracy of the information contained in this brochure, no responsibility can be accepted for any errors or omissions.

The copyright of antenna designs and images is copyright protected and owned by Chelton Limited.
©Chelton Limited

For further information please contact:

Chelton Limited,
Lambda House, Cheveley,
Newmarket, Suffolk CB8 9RG, UK.
T: +44 (0)1638 732 177
E: newmarket.sales@chelton.com
W: www.chelton.com/microwave