

ABA-2.4V/2042



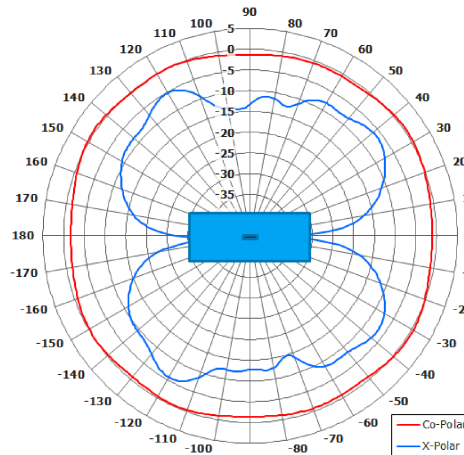
Blade Antenna

Key Features:

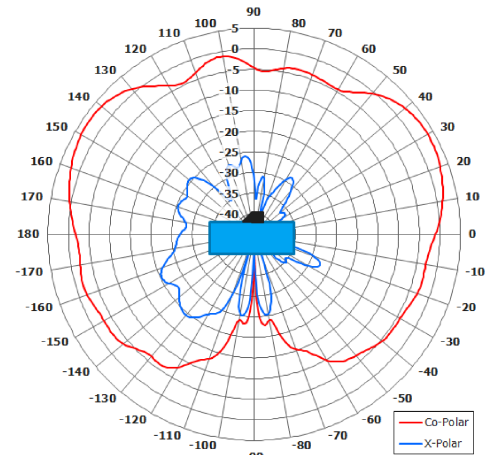
Lightweight

Low Profile Aerodynamic Design

Typical Patterns measured on
200mm dia cylindrical ground plane

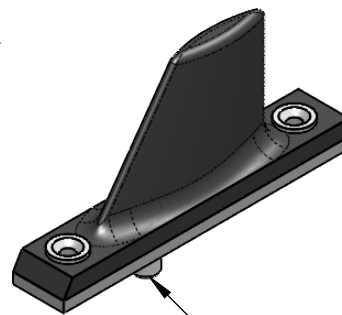
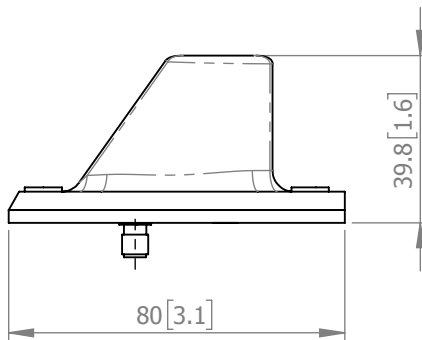


Azimuth Polar Plot



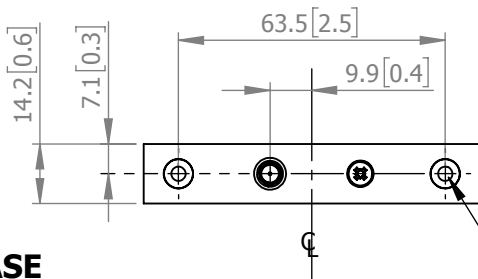
Elevation Polar Plot

SIDE VIEW



SMA(F) CONNECTOR

BASE VIEW



MOUNTED VIA 2 OFF
Ø 3.4 CSK HOLES

ELECTRICAL

Frequency: 2.3 - 2.5 GHz

Gain: 0 dBi Typ.

Polarisation: Linear (Vertical)

Beamwidth: 360°

Cross Polar: 6 dB Typ.

VSWR: 2.5:1 Max.

Power Rating: 25 W

Front to Back: N/A

MECHANICAL

Standard Finish: Black

Mass: 24 g / 0.85 oz

Temperature: -40° to +60°C

Wind Loading: N/A

NOTES

Performance Measured on 200mm dia cylinder
(ground plane dependant)

DS: 2042-2 Issued: 071118

Dimensions: mm [inches] M

Chelton Limited has a policy of continuous development and stress that the information provided is a guide only and does not constitute an offer or contract or part thereof. Whilst every effort is made to ensure the accuracy of the information contained in this brochure, no responsibility can be accepted for any errors or omissions.

The copyright of antenna designs and images is copyright protected and owned by Chelton Limited.
©Chelton Limited

For further information please contact:

Chelton Limited,
Lambda House, Cheveley,
Newmarket, Suffolk CB8 9RG, UK.
T: +44 (0)1638 732 177
E: newmarket.sales@chelton.com
W: www.chelton.com/microwave