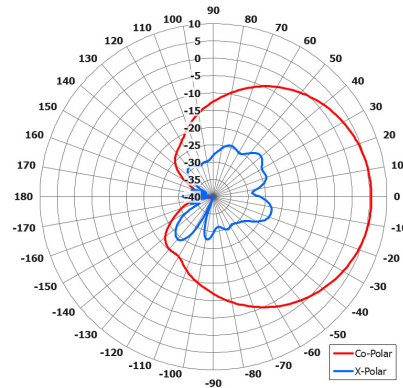


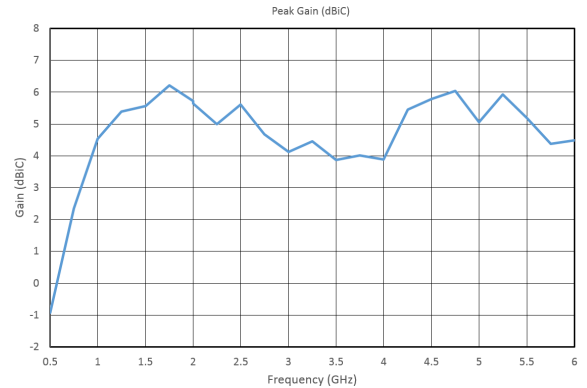
Wideband Spiral Antenna

Key Features

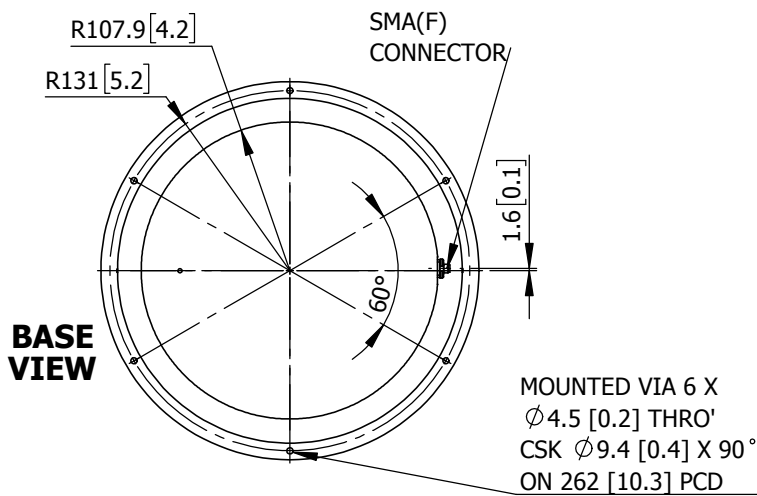
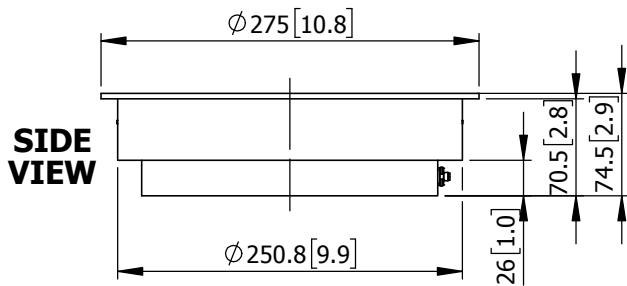
- Wideband
- Directional
- RHCP
- Suitable for Multiple apps
- Phase and Amplitude matching available



Azimuth Polar Plot (Typical)



Gain Chart



ELECTRICAL

Frequency:	0.5 - 6.0 GHz
Gain:	See Gain Curve Above
Polarisation:	Right Hand Circular
Beamwidth:	60° - 120° (Az) and (El)
Axial Ratio:	<2 dB Typ.
VSWR:	2:1 Typ, 2.5:1 Max
Power Rating:	10 W
Front to Back:	>25 dB Typ

MECHANICAL

Standard Finish:	Gloss White/Aluminum Housing
Mass:	1.1 Kg / 2.42 lbs
Temperature:	-40° to +60°C
Wind Loading:	85N @ 100mph

MOUNTING OPTIONS

Kits Available:	N/A
See Separate Data Sheets	

DS:	2389-2	Issued:	160119
Dimensions:	mm [inches]	M	

Chelton Limited has a policy of continuous development and stress that the information provided is a guide only and does not constitute an offer or contract or part thereof. Whilst every effort is made to ensure the accuracy of the information contained in this brochure, no responsibility can be accepted for any errors or omissions.

The copyright of antenna designs and images is copyright protected and owned by Chelton Limited.
©Chelton Limited