

# SVD2-915/432

Slim Omni Antenna



## Key Features

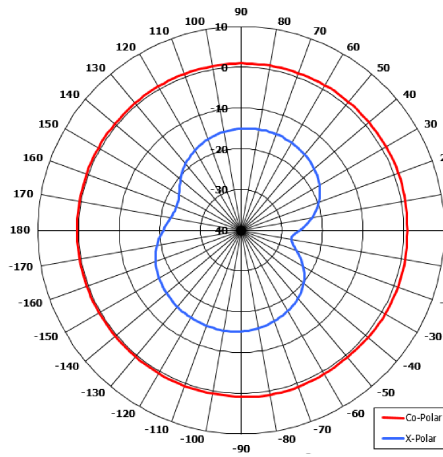
Designed for Mobile Application

Suitable for Multiple Application

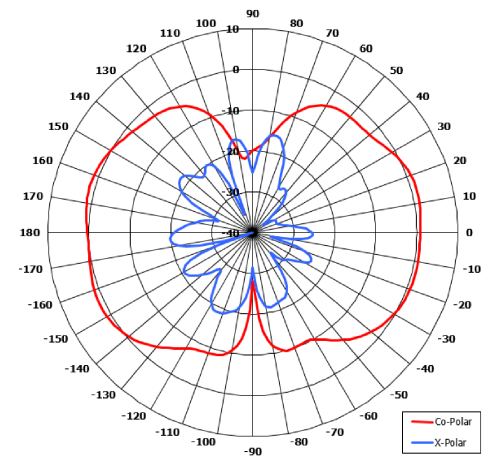
Compact

Lightweight

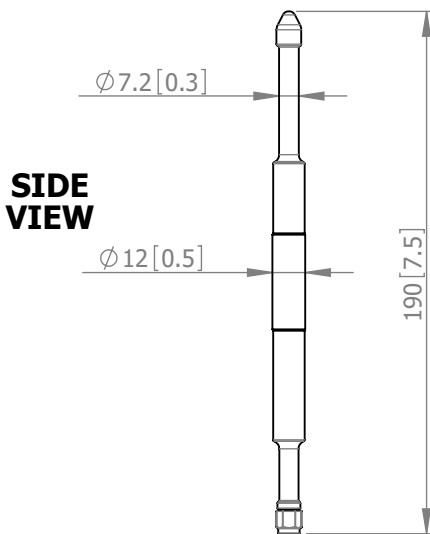
Ground Plane Independent



Azimuth Polar Plot

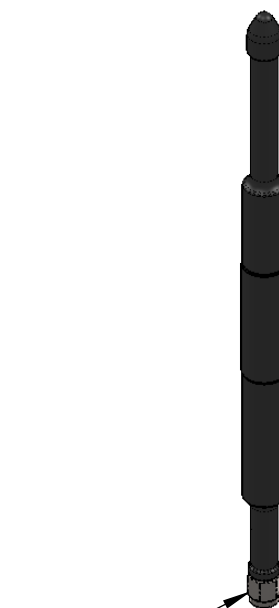


Elevation Polar Plot



**SIDE VIEW**

**BASE VIEW**



SMA(M)  
CONNECTOR

## ELECTRICAL

Frequency: 870 - 960 MHz

Gain: 1 dBi Typ.

Polarisation: Linear (Vertical)

Beamwidth: 360° (Az) x 65° (El)

Cross Polar: 15 dB Typ.

VSWR: 2:1 Max

Power Rating: 10 W

Front to Back: N/A

## MECHANICAL

Standard Finish: Matt Black

Mass: 26g / 0.9 oz

Temperature: -20° to +50°C

Wind Loading: N/A

## MOUNTING OPTIONS

Kits Available: N/A

See Separate Data Sheets

DS: 0432i2 Issued: 120220

Dimensions: mm [inches]

Chelton Limited trading as Cobham Antenna Systems, Microwave Antennas  
Chelton Limited has a policy of continuous development and stress that the information provided is a guide only and does not constitute an offer or contract or part thereof. Whilst every effort is made to ensure the accuracy of the information contained in this Data Sheet, no responsibility can be accepted for any errors or omissions.

The copyright of antenna designs and images is copyright protected and owned by Chelton Limited.  
©Chelton Limited.

For further information please contact:  
Chelton Limited,  
Lambda House, Cheveley,  
Newmarket, Suffolk CB8 9RG, UK.  
T: +44 (0)1638 732 177  
E: newmarket.sales@chelton.com  
W: www.chelton.com/microwave