

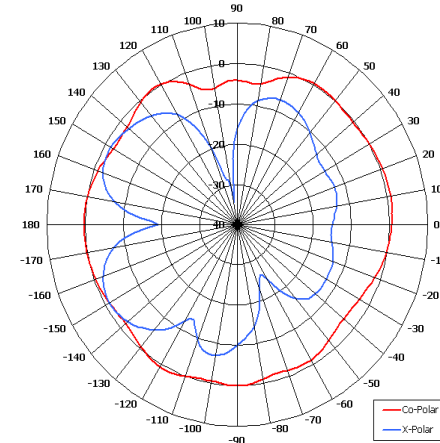
SBA-900/1249

Short Blade Antenna

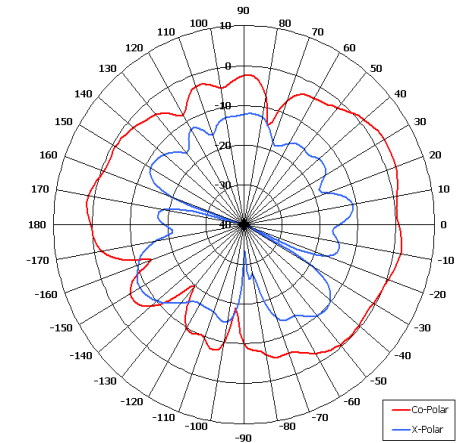


Key Features

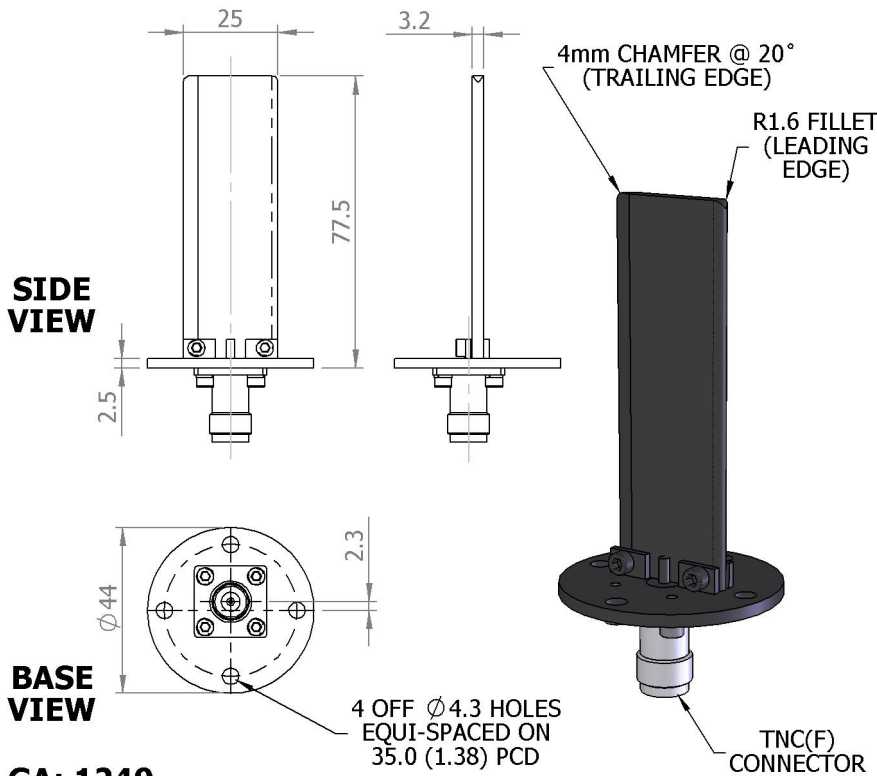
- Suitable for Telemetry Applications
- Designed for Unmanned Systems
- Applications Monopole Design
- Lightweight
- Suitable for Airborne Applications



Azimuth Pattern



Elevation Pattern



ELECTRICAL

Frequency	902 - 928 MHz
Gain	0 - 2 dBi Nom
Polarisation	Linear (Vertical)
Beamwidth	360° (Az) x 100° (El) Approx
VSWR	1.5:1 On Groundplane
Power Rating	10W

MECHANICAL

Standard Finish	Matt Black
Mass	35g (1.2 oz)
Temperature	-40° to +60°C
Wind Loading	314g (0.691 lbs) @ 100 mph Worst Case

MOUNTING OPTIONS

Kits Available	N/A
See separate data sheets	

ADDITIONAL NOTES

Issued 110310

Chelton Limited trading as Cobham Antenna Systems, Microwave Antennas Chelton Limited has a policy of continuous development and stress that the information provided is a guide only and does not constitute an offer or contract or part thereof. Whilst every effort is made to ensure the accuracy of the information contained in this Data Sheet, no responsibility can be accepted for any errors or omissions.

The copyright of antenna designs and images is copyright protected and owned by Chelton Limited.
©Chelton Limited.

For further information please contact:
Chelton Limited,
Lambda House, Cheveley,
Newmarket, Suffolk CB8 9RG, UK.
T: +44 (0)1638 732 177
E: newmarket.sales@chelton.com
W: www.chelton.com/microwave