

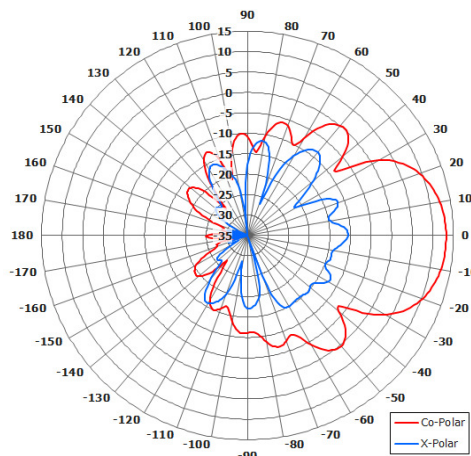
AMHS14-15R/028

Shrouded Helix Antenna

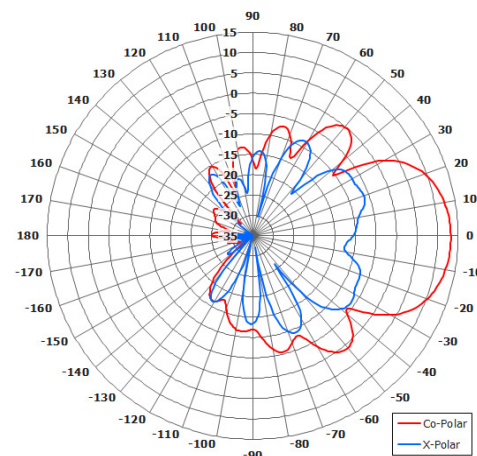


Key Features

- Directional
- Circular Polarised
- Low Wind Loading
- External Applications

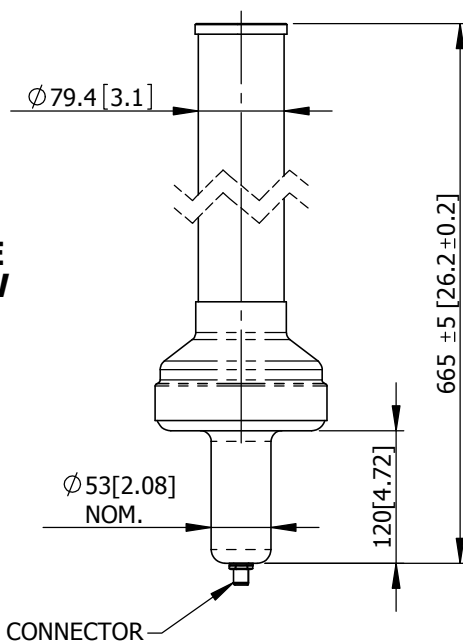


Azimuth Polar Plot

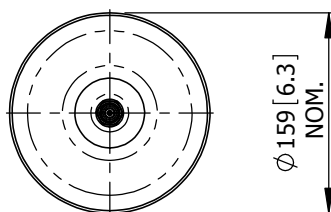


Elevation Polar Plot

SIDE VIEW



BASE VIEW



MOUNTED VIA
OPTIONAL MK4
MOUNTING KIT

ELECTRICAL

Frequency:	1.30 - 1.70 GHz
Gain:	13 dBiC
Polarisation:	Right Hand Circular
Beamwidth:	35° (Az) x 35° (El) Typical
Axial Ratio:	2.0 dB
VSWR:	1.5:1
Power Rating:	20 W
Front to Back:	20 dB
Electrical Tilt:	N/A

MECHANICAL

Standard Finish	Gloss White
Mass:	2.0 Kg / 4.4 lbs
Temperature:	-20° to +50°C
Wind Loading:	5.8 Kg / 12.8 lbs @ 100 mph

MOUNTING OPTIONS

Kits Available: MK4/C

See Separate Data Sheets

DS: 028-5 Issued: 270318
Dimensions: mm [inches] L

Chelton Limited has a policy of continuous development and stress that the information provided is a guide only and does not constitute an offer or contract or part thereof. Whilst every effort is made to ensure the accuracy of the information contained in this brochure, no responsibility can be accepted for any errors or omissions.

The copyright of antenna designs and images is copyright protected and owned by Chelton Limited.
©Chelton Limited

For further information please contact:
Chelton Limited,
Lambda House, Cheveley,
Newmarket, Suffolk CB8 9RG, UK.
T: +44 (0)1638 732 177
E: newmarket.sales@chelton.com
W: www.chelton.com/microwave