

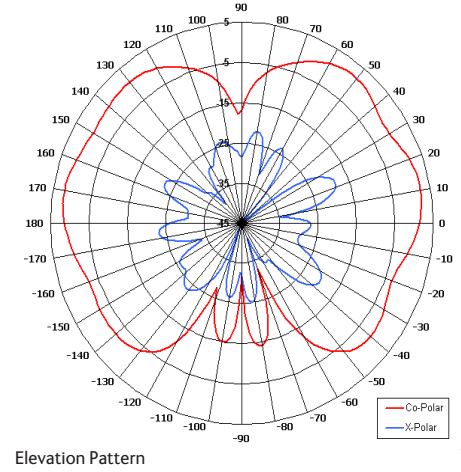
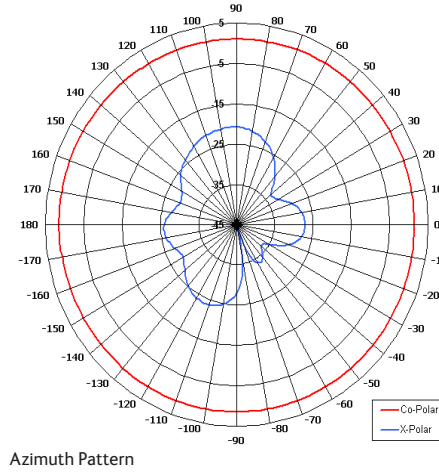
EVD2-4700/1174

Rugged Omni Antenna

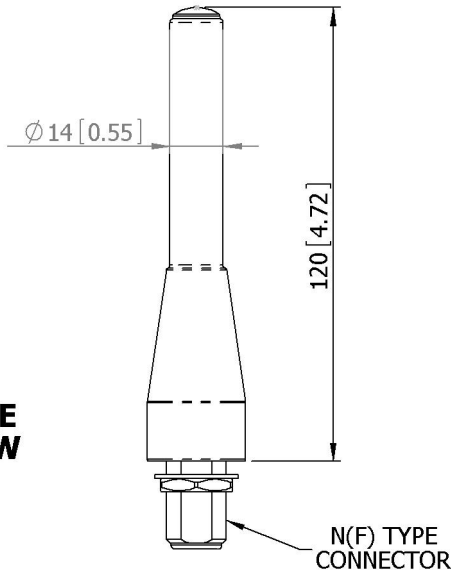


Key Features

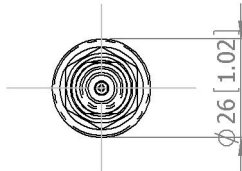
- Designed for Security Applications
- Suitable for Mobile Applications
- Compact
- Connector Options
- Ground Plane Independent



SIDE VIEW



BASE VIEW



GA: 1174



ELECTRICAL

Frequency	4.40 - 5.00 GHz
Gain	2 dBi Nom
Polarisation	Linear (Vertical)
Beamwidth	360° (Az) x 80° (El) Approx
Cross Polar	>20 dB Typ
VSWR	<1.5:1 Typ, 2:1 Max
Power Rating	10W
Front to Back	N/A

MECHANICAL

Standard Finish	Matt Black
Mass	77g (2.7 oz)
Temperature	-20° to +50°C
Wind Loading	350 g (0.77 lbs) @ 100mph

MOUNTING OPTIONS

Kits Available	N/A
See separate data sheets	

ADDITIONAL NOTES

Issued 200410

Chelton Limited has a policy of continuous development and stress that the information provided is a guide only and does not constitute an offer or contract or part thereof. Whilst every effort is made to ensure the accuracy of the information contained in this brochure, no responsibility can be accepted for any errors or omissions.

The copyright of antenna designs and images is copyright protected and owned by Chelton Limited.
©Chelton Limited

For further information please contact:
Chelton Limited,
Lambda House, Cheveley,
Newmarket, Suffolk CB8 9RG, UK.
T: +44 (0)1638 732 177
E: newmarket.sales@chelton.com
W: www.chelton.com/microwave