

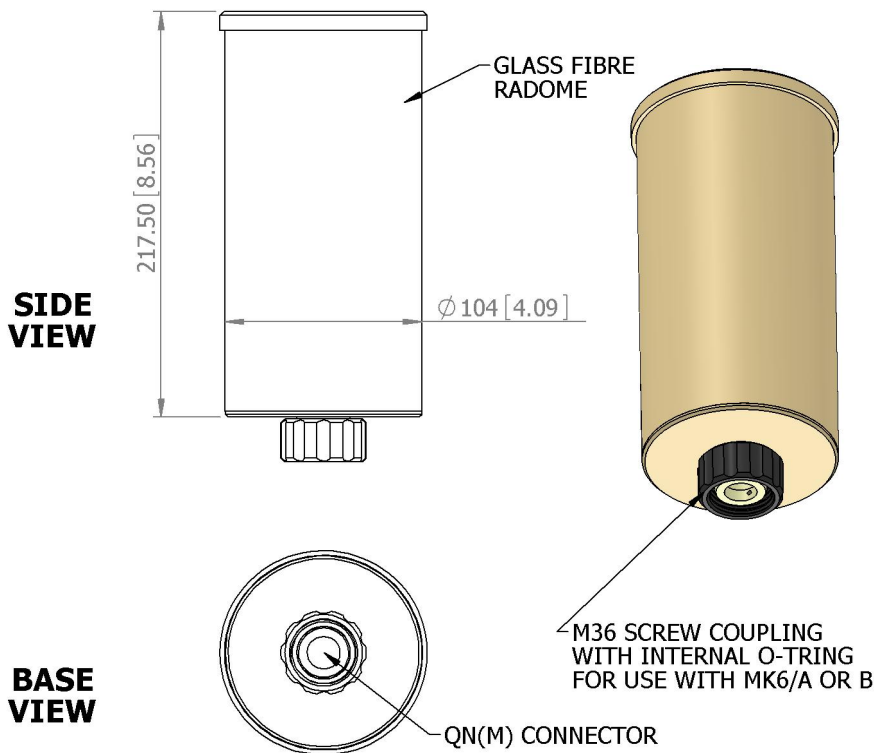
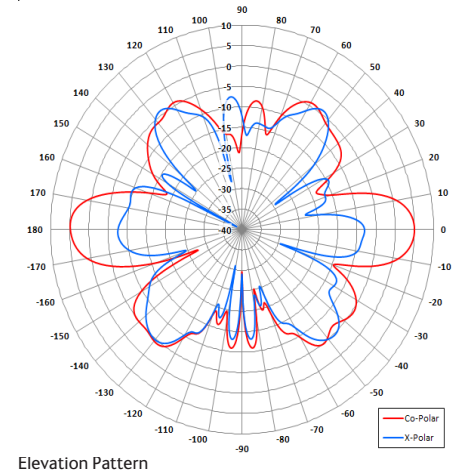
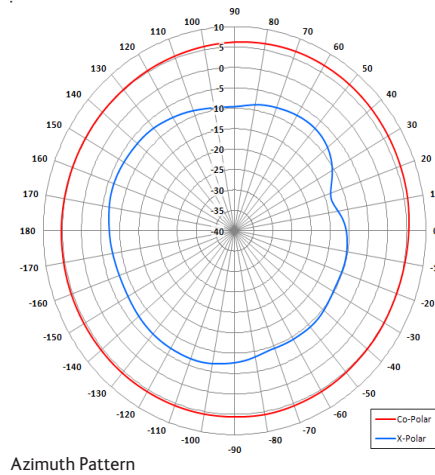
# OA6-5.8L/1756

Omni Antenna



## Key Features

- Left Hand Circular Polarised
- Designed for Tactical Comms
- Applications Suitable for Ground Vehicle Applications Rugged
- Quick Field Deployable Mount
- NATO Stock Number: 5985-99-958-7784



**GA: 1756**

## ELECTRICAL

Frequency	5.70 - 5.90 GHz
Gain	>5.0 dBiC Typ
Polarisation	Left Hand Circular
Beamwidth	360° (Az) x 17.5° (El) Approx
Cross Polar	4.5 dB Typ
VSWR	1.67:1 Max
Power Rating	10 W
Front to Back	N/A

## MECHANICAL

Standard Finish	Desert Tan
Mass	525g (18.51 oz)
Temperature	-40° to +71°C
Wind Loading	N/A

## MOUNTING OPTIONS

Kits Available	MK/6
See separate data sheets	

## ADDITIONAL NOTES

Issued 160317

Chelton Limited has a policy of continuous development and stress that the information provided is a guide only and does not constitute an offer or contract or part thereof. Whilst every effort is made to ensure the accuracy of the information contained in this brochure, no responsibility can be accepted for any errors or omissions.

The copyright of antenna designs and images is copyright protected and owned by Chelton Limited.  
©Chelton Limited

For further information please contact:  
Chelton Limited,  
Lambda House, Cheveley,  
Newmarket, Suffolk CB8 9RG, UK.  
T: +44 (0)1638 732 177  
E: [newmarket.sales@chelton.com](mailto:newmarket.sales@chelton.com)  
W: [www.chelton.com/microwave](http://www.chelton.com/microwave)