

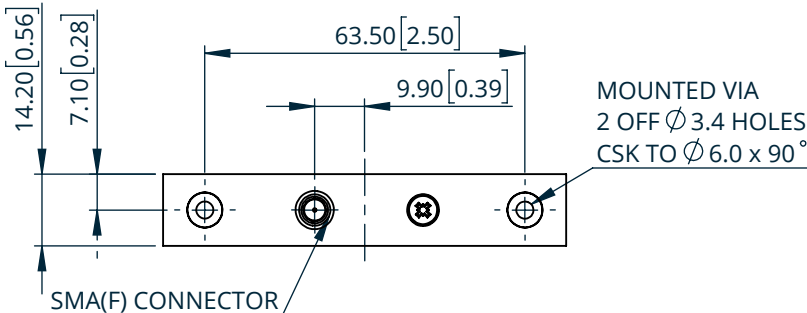
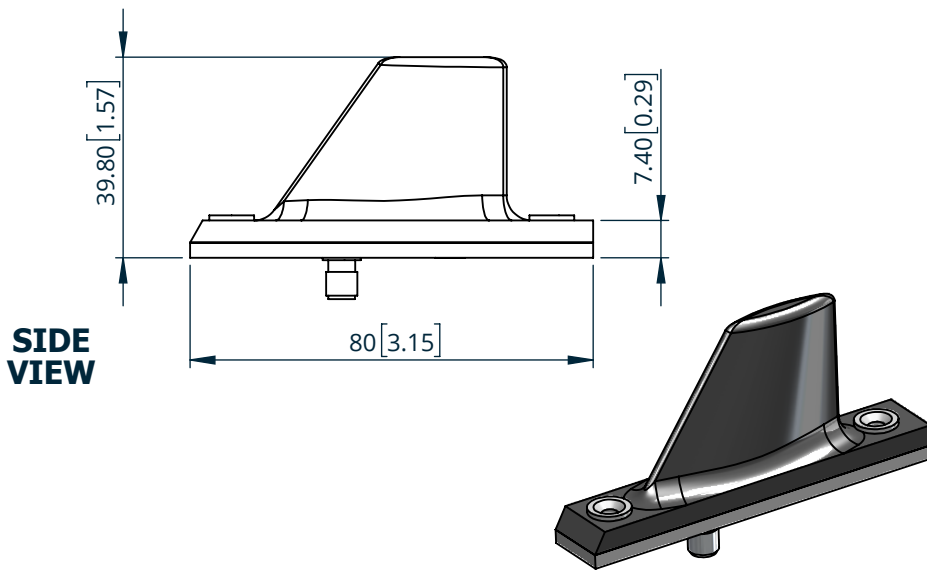
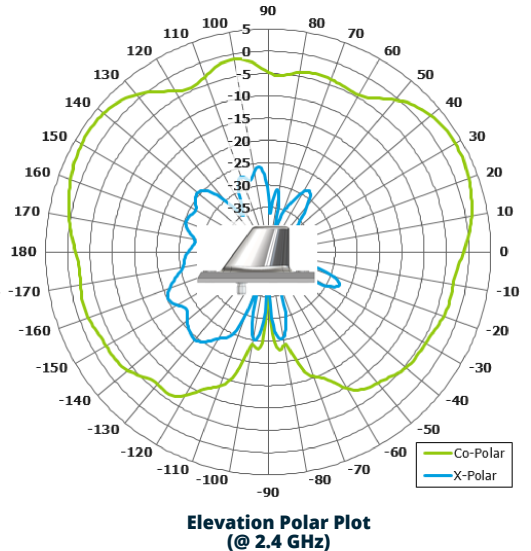
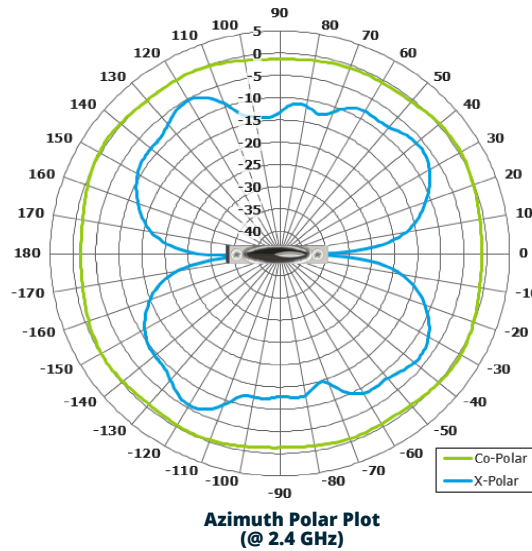
ABA-2.4V/2042

Blade Antenna

Key Features:

Rugged lightweight design

Low profile aerodynamic radome



ELECTRICAL

Frequency:	2.3 to 2.5 GHz
Gain:	3.5 dBi Typ. @ +30°
Polarisation:	Vertical
Beamwidth:	360°
VSWR:	<2.5:1
Power Rating:	25 W

MECHANICAL

Standard Finish:	Black
Mass:	24 g / 0.85 oz
Temperature:	-40 to +60°C

NOTES

Performance measured on 200mm dia cylinder.

Full radiation patterns and CAD available on request

DS: 2042-3

Issued: 010921

Dimensions: mm [inches]