

PSA0218R/1278

Directional Antenna

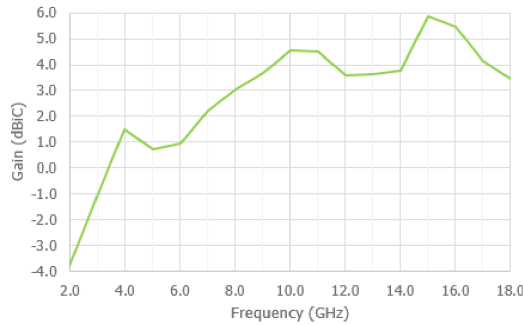
Key Features:

Designed for electronic warfare applications

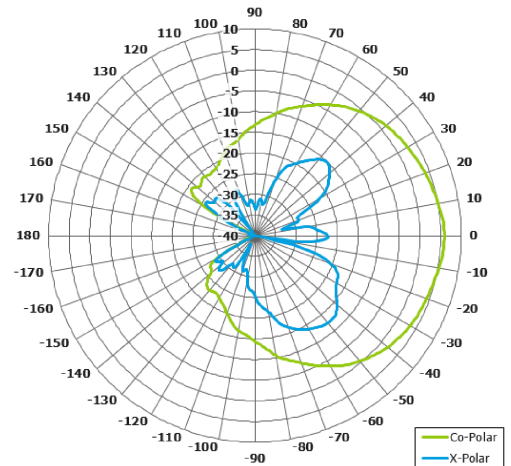
Ultra wideband performance

Suitable for DF arrays

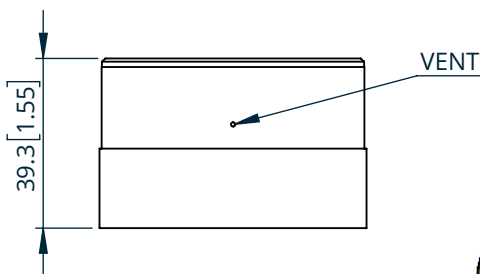
Phase and amplitude testing available



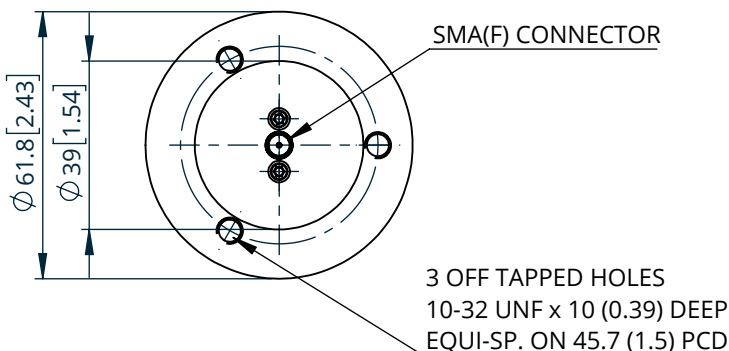
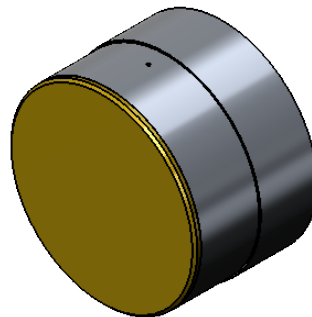
Typical Gain Plot



Azimuth Polar Plot (@ 15 GHz)



SIDE VIEW



REAR VIEW

ELECTRICAL

Frequency:	2 to 18 GHz
Gain:	-4 to +5 dBiC Typ.
Polarisation:	Right hand circular
Beamwidth:	55° x 110° Typ.
Axial Ratio:	3 dB Max across HPBW above 3 GHz
VSWR:	3:1 Max, <2:1 Typ.
Power Rating:	2 W

MECHANICAL

Standard Finish:	Beige radome
Mass:	0.14 Kg / 0.32 lbs
Temperature:	-54 to +71°C

Full radiation patterns and CAD available on request

DS: 1278-3

Issued: 230621

Dimensions: mm [inches]