

OA2-0.3-10.0V/1667

Omni Antenna

Key Features:

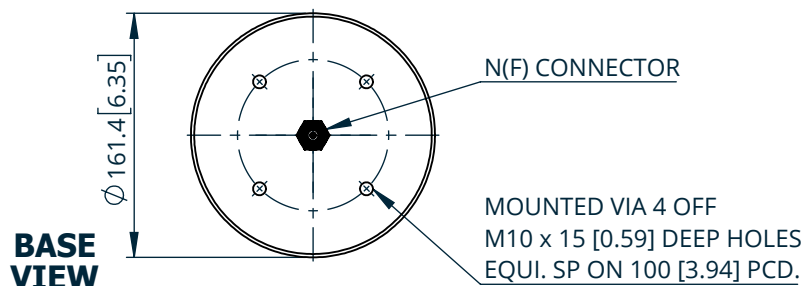
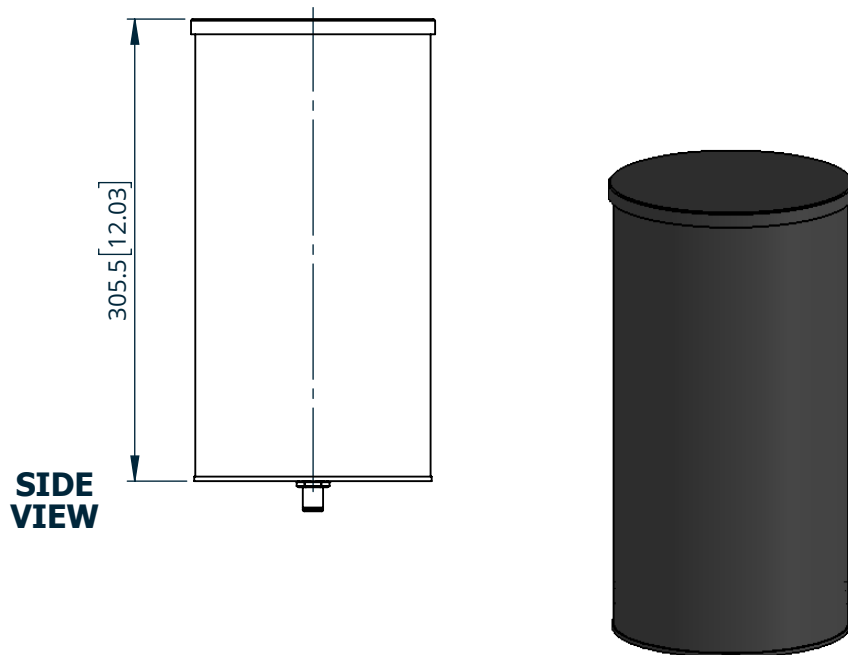
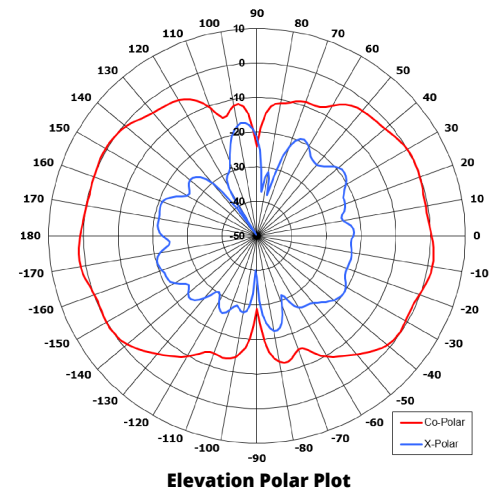
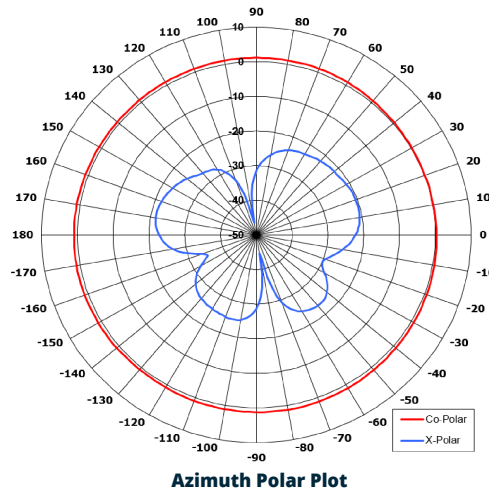
Designed for security applications

Suitable for IED countermeasure applications

High power

Rugged

Mounting options



ELECTRICAL

Frequency:	0.3 to 10.0 GHz
Gain:	2 dBi Typ, on horizon
Polarisation:	Vertical
Beamwidth:	360° x 50° Typ.
Cross Polar:	>20 dB Typ.
VSWR:	<8:1 - 0.30 to 0.35 GHz <3.5:1 - 0.35 to 1.30 GHz <2.5:1 - 1.30 to 10.00 GHz
Power Rating:	100 W

MECHANICAL

Standard Finish:	Black
Mass:	1.65 Kg / 3.63 lbs
Temperature:	-20 to +50°C
Wind Loading:	78.5 N @ 100 mph

MOUNTING OPTIONS

Kits Available:	MK120A
------------------------	--------

See separate datasheet

Full radiation patterns and CAD available on request

DS: 1667-2 **Issued:** 250821
Dimensions: mm [inches]