

# OA2-0.3-10.0V/1668

## Omni Antenna

### Key Features:

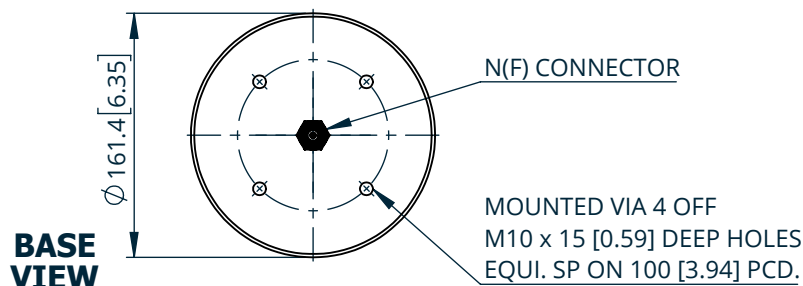
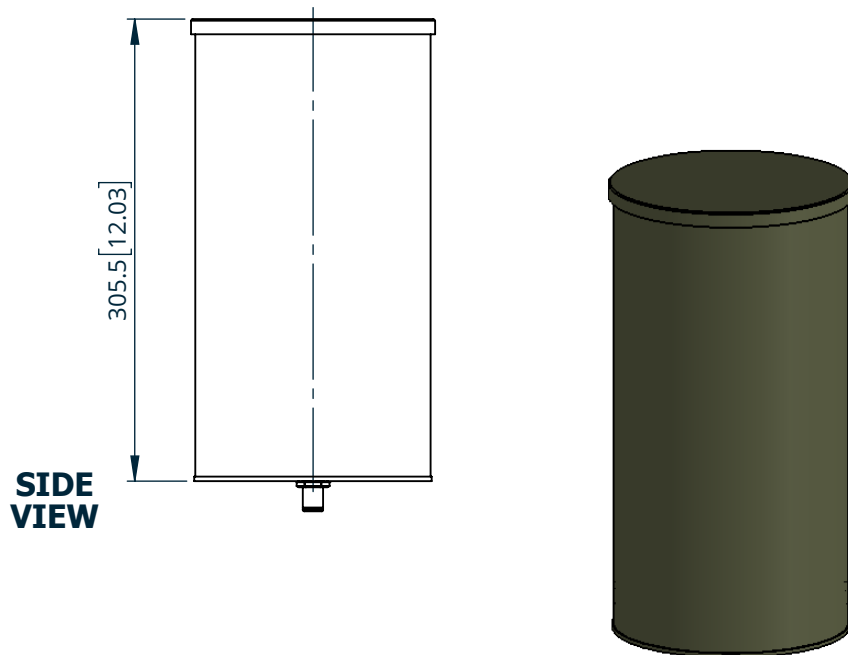
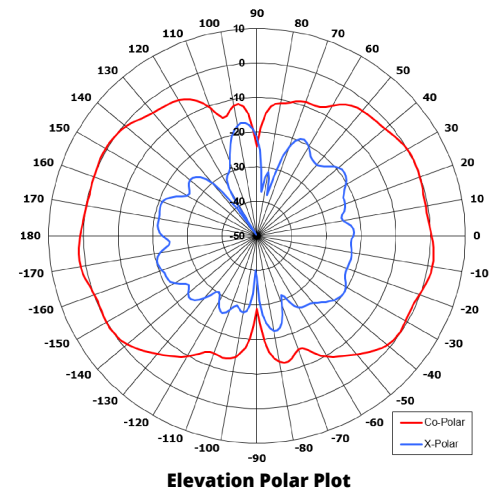
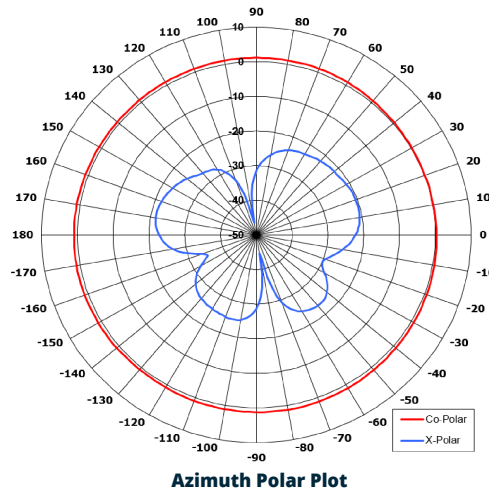
Designed for security applications

Suitable for IED countermeasure applications

High power

Rugged

Mounting options



### ELECTRICAL

<b>Frequency:</b>	0.3 to 10.0 GHz
<b>Gain:</b>	2 dBi Typ, on horizon
<b>Polarisation:</b>	Vertical
<b>Beamwidth:</b>	360° x 50° Typ.
<b>Cross Polar:</b>	>20 dB Typ.
<b>VSWR:</b>	<8:1 - 0.30 to 0.35 GHz <3.5:1 - 0.35 to 1.30 GHz <2.5:1 - 1.30 to 10.00 GHz
<b>Power Rating:</b>	100 W

### MECHANICAL

<b>Standard Finish:</b>	Military Green
<b>Mass:</b>	1.65 Kg / 3.63 lbs
<b>Temperature:</b>	-20 to +50°C
<b>Wind Loading:</b>	78.5 N @ 100 mph

### MOUNTING OPTIONS

**Kits Available:** MK120A

See separate datasheet

Full radiation patterns and CAD available on request

**DS:** 1668-2

**Issued:** 250821

Dimensions: mm [inches]