

OA2-1.6V/1346

Omni Antenna

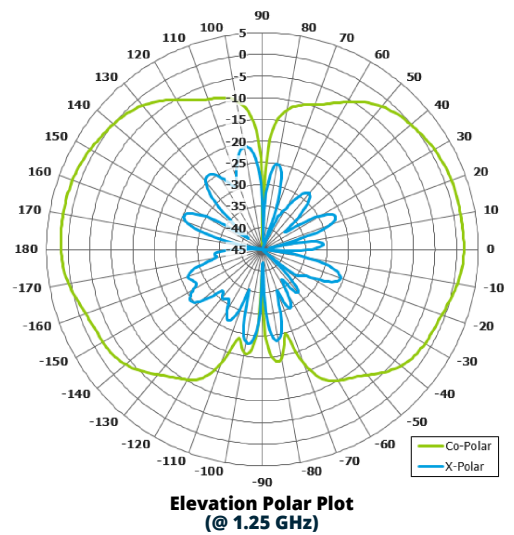
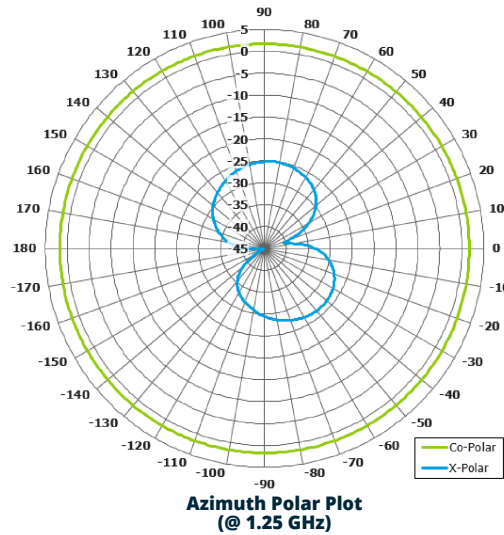
Key Features:

Suitable for multiple applications

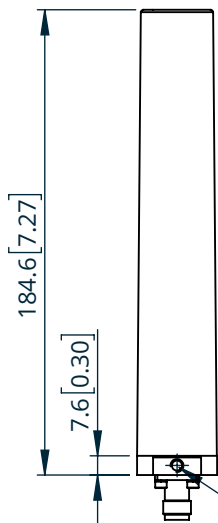
Lightweight compact design

Ground plane independent

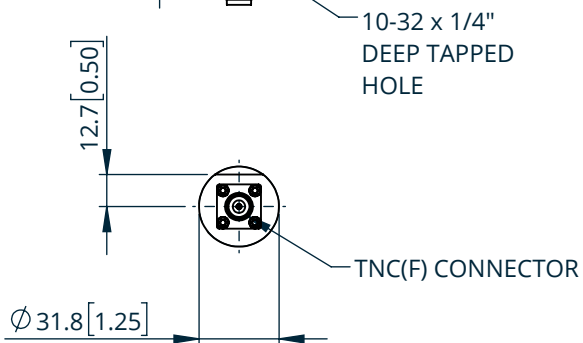
NATO stock code:
5985-99-670-5252



**SIDE
VIEW**



**BASE
VIEW**



ELECTRICAL

Frequency: 1.15 to 1.40 GHz

Gain: 2 dBiC Typ.

Polarisation: Vertical

Beamwidth: 360° x 63° Typ.

Cross Polar: >20 dB Typ.

VSWR: <2:1

Power Rating: 10 W

MECHANICAL

Standard Finish: Black

Mass: 100 g / 3.5 oz

Temperature: -40 to +60°C

Full radiation patterns and CAD available on request

DS: 1346-2

Issued: 260521

Dimensions: mm [inches]