

# XPO2V-2.0-18.0/1397

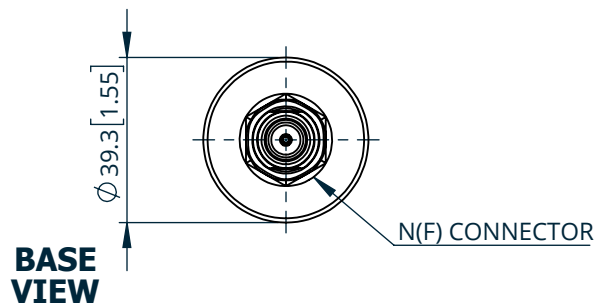
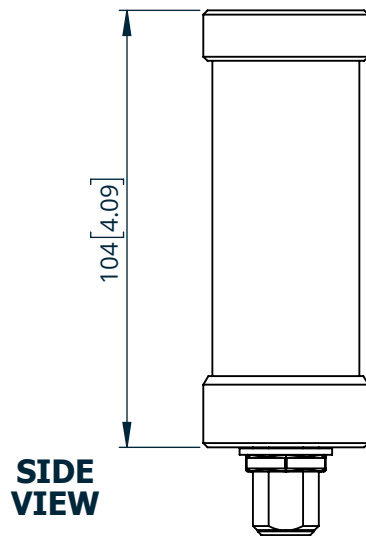
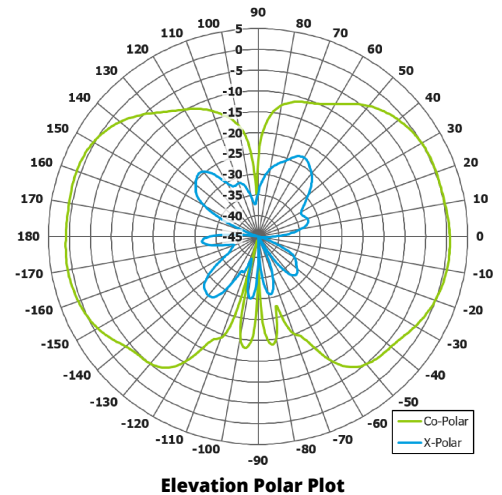
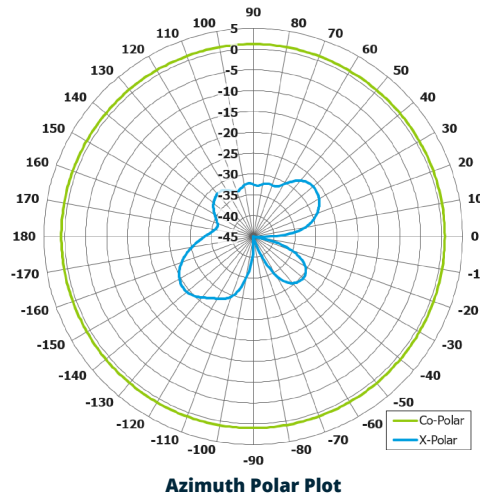
## Omni Antenna

### Key Features:

Ultra wideband omni antenna

Lightweight compact design

Suitable for multiple applications



### ELECTRICAL

<b>Frequency:</b>	2 to 18 GHz
<b>Gain (Peak):</b>	2 dBi Typ.
<b>Polarisation:</b>	Vertical
<b>Beamwidth:</b>	360° x 60° to 100° Typ.
<b>Cross Polar:</b>	>20 dB Typ.
<b>VSWR:</b>	2:1 Typ, 3.5:1 Max.
<b>Power Rating:</b>	15 W Max. @ 18 GHz

### MECHANICAL

<b>Standard Finish:</b>	Grey radome, black cap
<b>Mass:</b>	95 g / 3.3 oz
<b>Temperature:</b>	-20 to +50°C

Full radiation patterns and CAD available on request

DS: 1397-3

Issued: 250521

Dimensions: mm [inches]