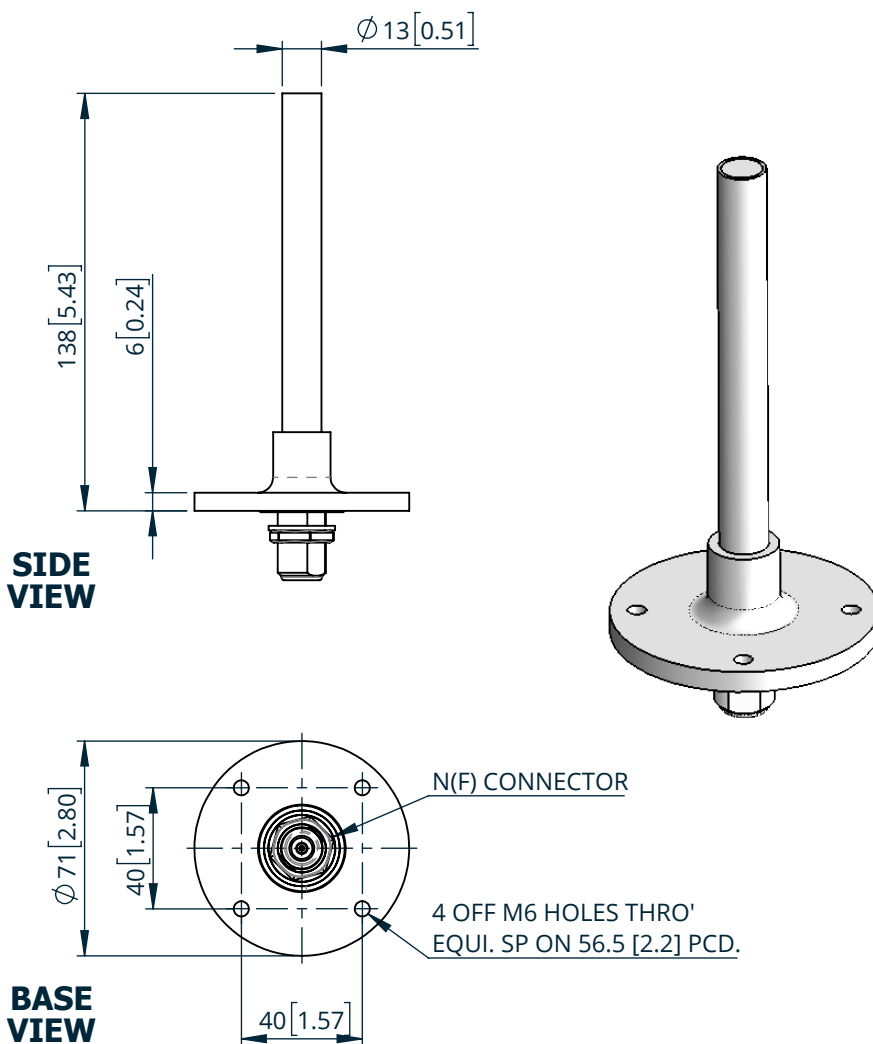
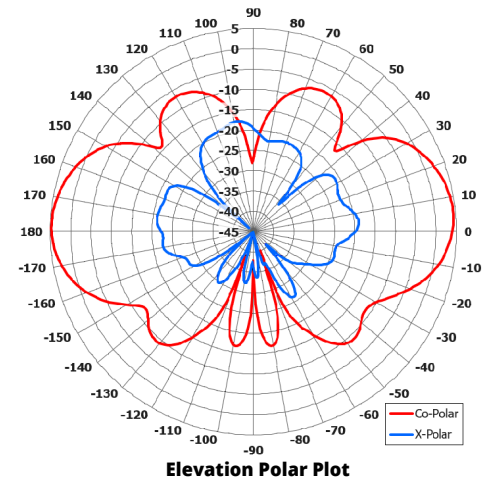
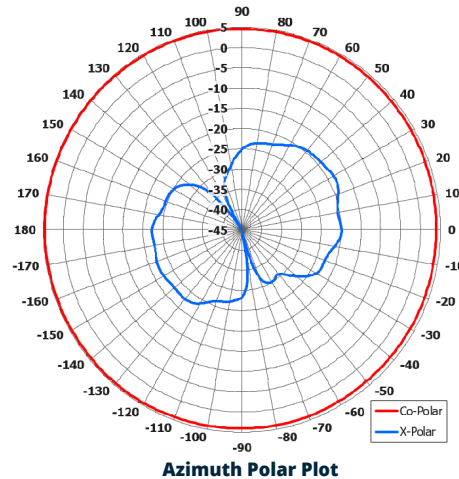


OA4-4.4-5.8V/1976

Omni Antenna

Key Features:

- Wideband
- Omni directional antenna
- High power
- Lightweight
- Rugged
- Low profile



ELECTRICAL

Frequency:	4.4 to 5.8 GHz
Gain:	4.5 dBi Typ.
Polarisation:	Vertical
Beamwidth:	360° x 35° Typ.
Cross Polar:	>20 dB
VSWR:	2:1 Typ, 2.5:1 Max.
Power Rating:	40 W

MECHANICAL

Standard Finish:	White
Mass:	0.125 Kg / 0.275 lbs
Temperature:	-40 to +60°C

Full radiation patterns and CAD available on request

DS: 1976-2

Issued: 240521

Dimensions: mm [inches]