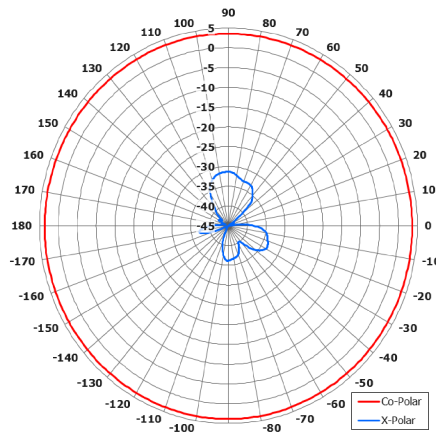


OA4-4.4-5.9V/2285

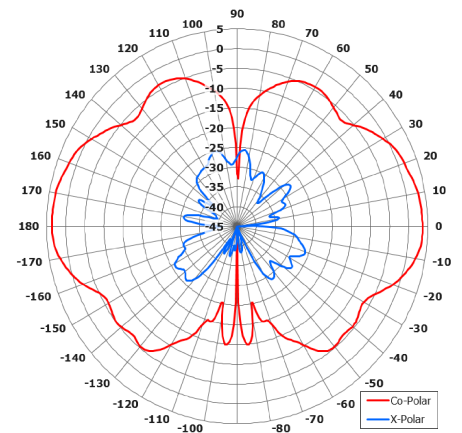
Omni Antenna

Key Features:

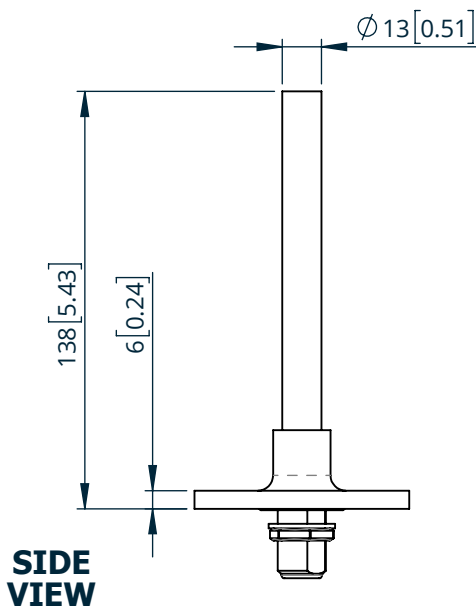
- Wideband
- High power
- Lightweight
- Rugged
- Low profile



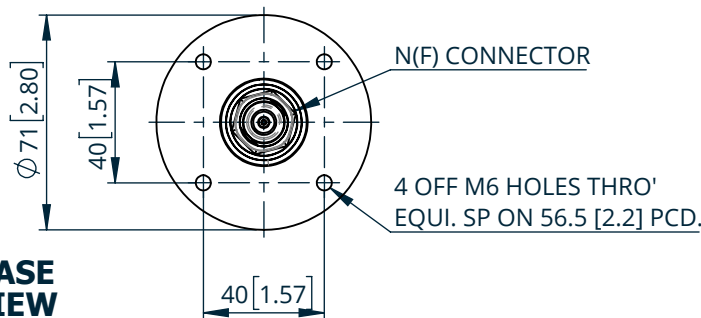
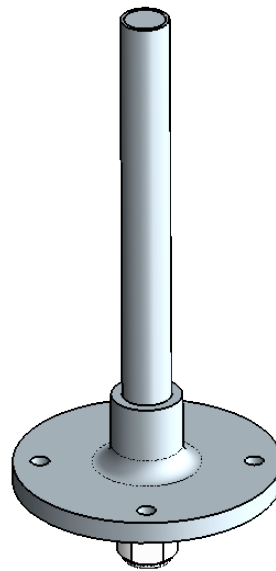
Azimuth Polar Plot



Elevation Polar Plot



SIDE VIEW



BASE VIEW

ELECTRICAL

Frequency:	4.4 to 5.9 GHz
Gain:	4 dBi Typ.
Polarisation:	Vertical
Beamwidth:	360° x 35° Typ.
Cross Polar:	>25 dB
VSWR:	2:1 Typ, 2.5:1 Max.
Power Rating:	40 W

MECHANICAL

Standard Finish:	Grey
Mass:	0.125 Kg / 0.275 lbs
Temperature:	-40 to +60°C
Wind Loading:	3.12 N @ 100 mph

Full radiation patterns and CAD available on request

DS: 2285-1

Issued: 240521

Dimensions: mm [inches]