

PSA-0218L/1276

Spiral Antenna

Key Features:

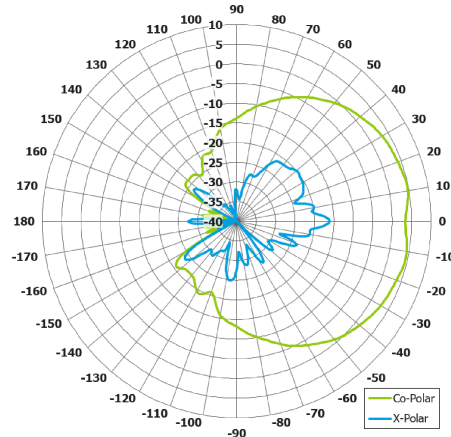
Designed for Electronic Warfare applications

Designed for DF arrays

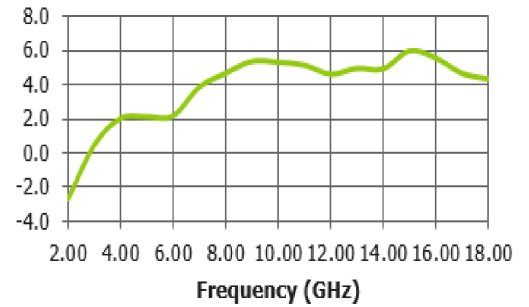
Pattern - Directional

Phase matching available

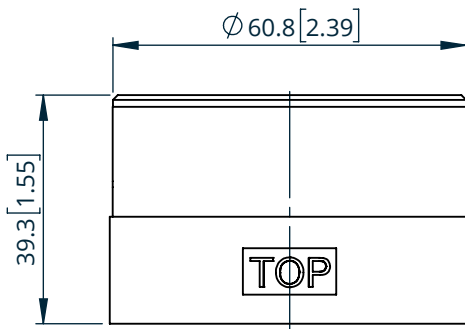
Amplitude matching available



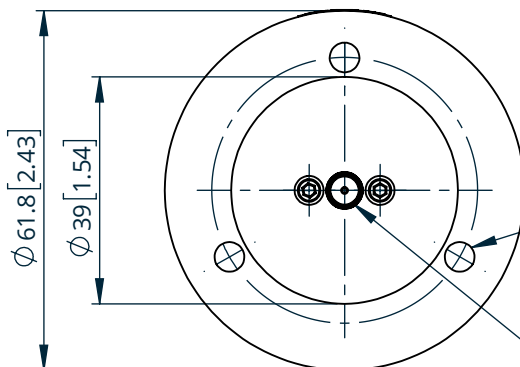
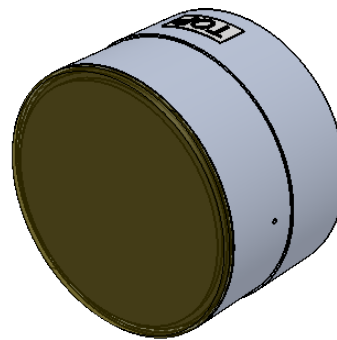
Azimuth Polar Plot



Peak Gain (dBiC)



SIDE VIEW



MOUNTED VIA 3 OFF 10-32 UNF x 0.39" DEEP HOLES EQUI. SP ON 1.8" PCD.

SMA(F) CONNECTOR

BASE VIEW

ELECTRICAL

Frequency:	2 to 18 GHz
Gain:	- 4 to 6 dBiC (See graph)
Polarisation:	Left hand circular
Beamwidth:	64° (Az) x 110° (El) Typ.
Axial Ratio:	<2 dB Typ.
VSWR:	<3:1 - 2 to 4 GHz <2.5:1 - 4 to 18 GHz
Power Rating:	2 W Max.

MECHANICAL

Standard Finish:	Beige radome
Mass:	0.39 Kg / 0.86 lbs
Temperature:	-40 to +60°C

Full radiation patterns and CAD available on request

DS: 1276-5

Issued: 250521

Dimensions: mm [inches]