

FPA-0.6-6.0R/2067

Directional Antenna

Key Features:

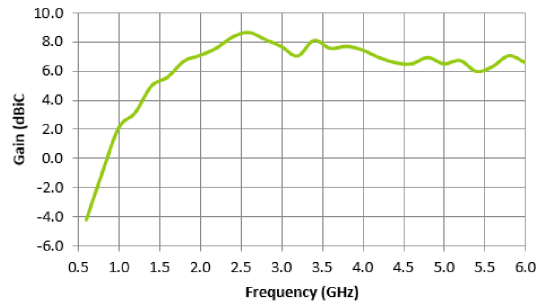
Designed for DAS applications

Ultra wideband

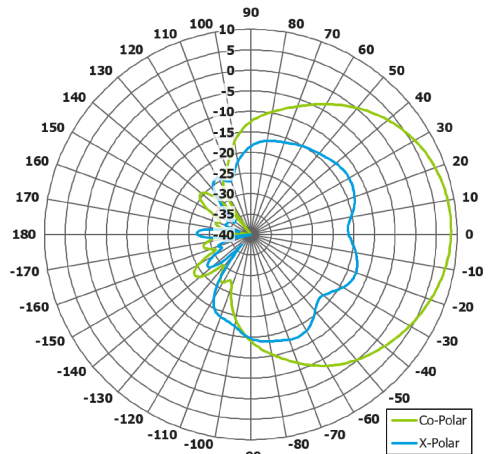
Suitable for indoor applications

Lightweight

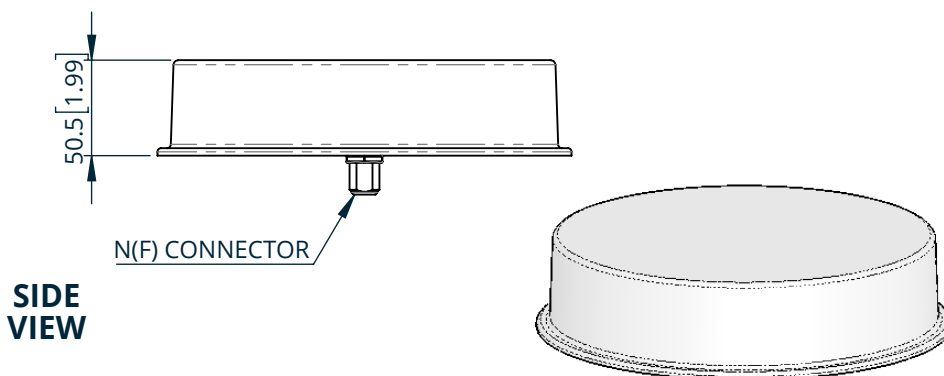
Right hand circular polarised



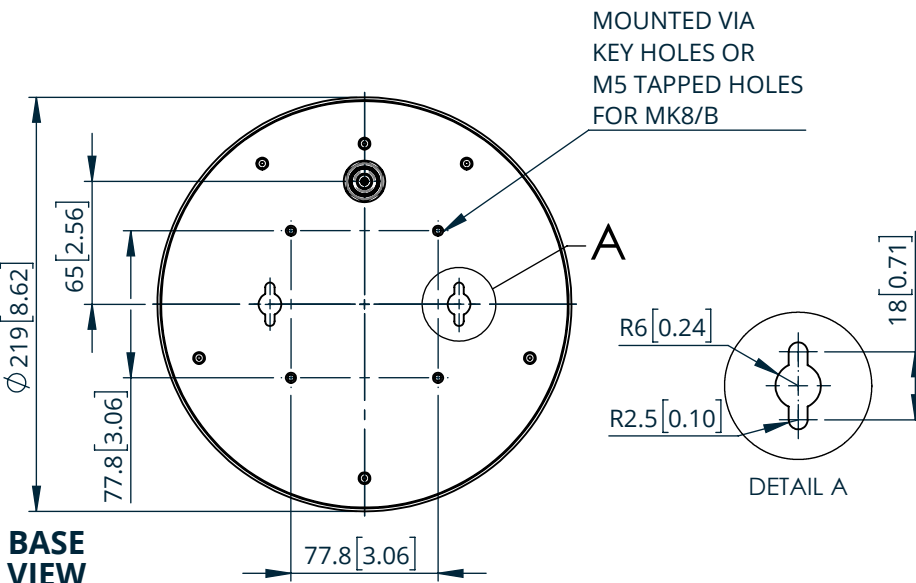
Peak Gain (dBiC)



Azimuth Polar Plot



SIDE VIEW



BASE VIEW

ELECTRICAL

Frequency:	0.6 to 6.0 GHz
Gain:	-4.5 to +8.5 dBiC Typ.
Polarisation:	Right hand circular
Beamwidth:	42° to 106° Typ.
Axial Ratio:	<1.5 dB Typ.
VSWR:	2:1 Typ, 2.2:1 Max.
Power Rating:	25 W

MECHANICAL

Standard Finish:	White
Mass:	0.42 Kg / 1.14 lbs
Temperature:	-20 to +50°C

MOUNTING OPTIONS

Kits Available:	MK4/B
-----------------	-------

See separate datasheet

Full radiation patterns and CAD available on request

DS: 2067-2 Issued: 070621
Dimensions: mm [inches]