

# SVD2-2.3V/1779

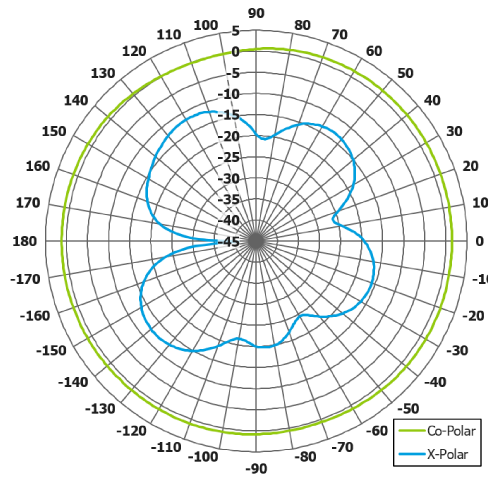
## Omni Antenna

### Key Features:

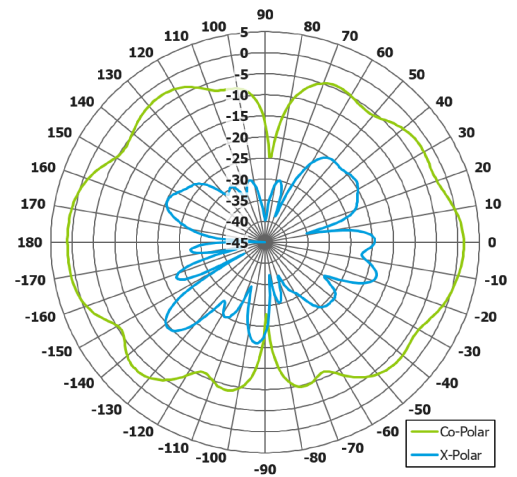
Suitable for multiple applications

Wideband performance

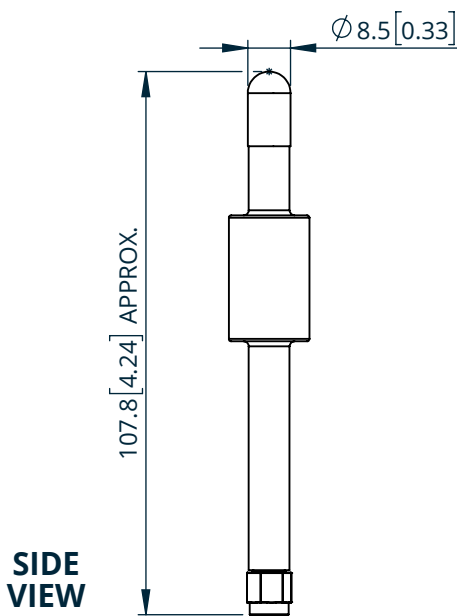
Flexible low profile design



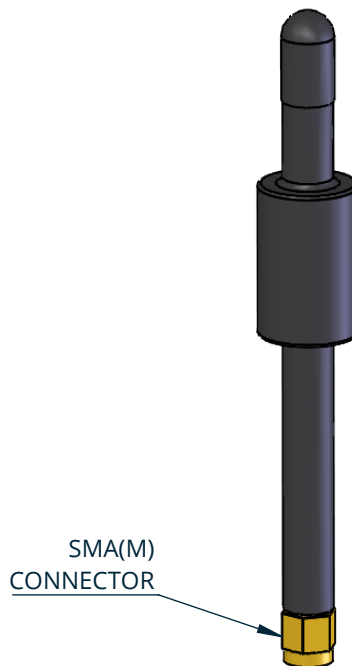
Azimuth Polar Plot



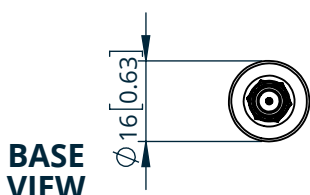
Elevation Polar Plot



SIDE VIEW



SMA(M)  
CONNECTOR



BASE VIEW

### ELECTRICAL

**Frequency:** 2.0 to 2.5 GHz

**Gain:** 1 dBi Typ.

**Polarisation:** Vertical

**Beamwidth:** 360° x 65° Typ.

**Cross Polar:** >15 dB Typ.

**VSWR:** 2:1 Typ, 2.5:1 Max.

**Power Rating:** 10 W

### MECHANICAL

**Standard Finish:** Black

**Mass:** 21 g / 0.7 oz

**Temperature:** -20 to +50°C

Full radiation patterns and CAD available on request

DS: 1779-3

Issued: 090621

Dimensions: mm [inches]