

FPA13-16RL/1089

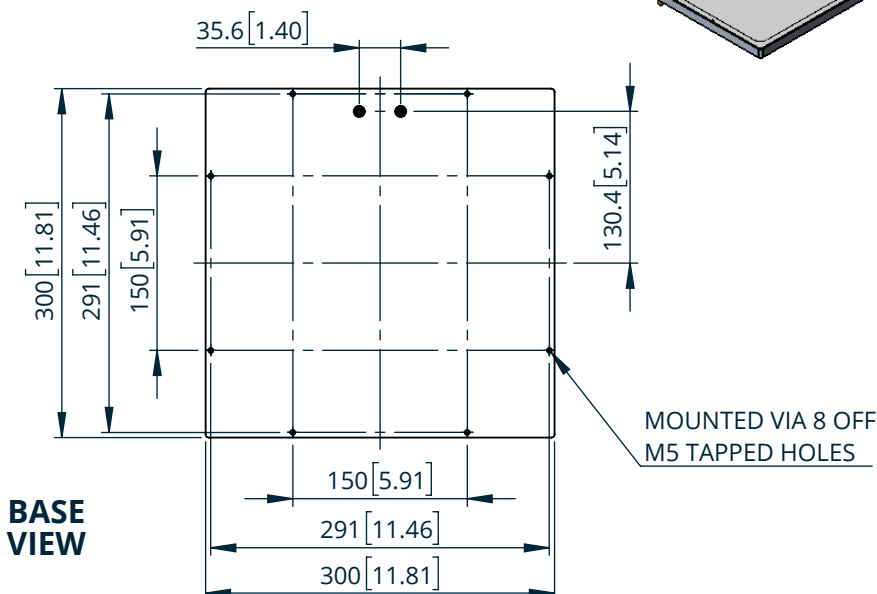
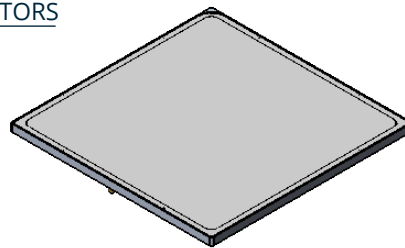
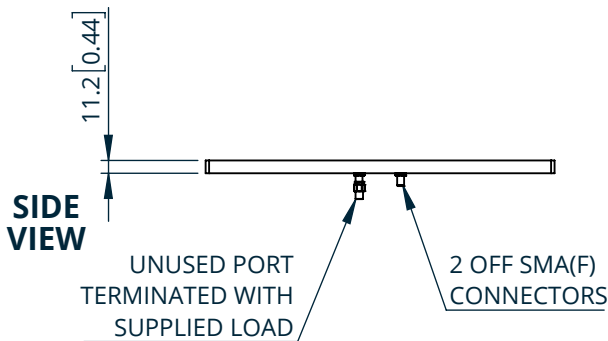
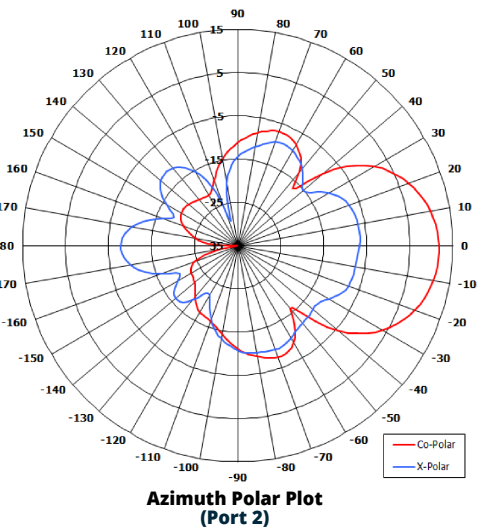
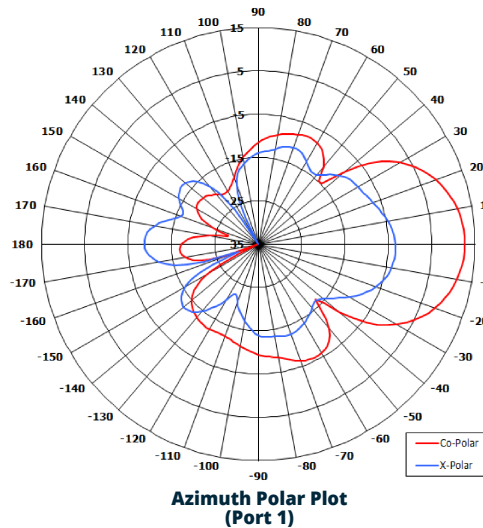
Directional Antenna

Key Features:

Designed for the Inmarsat and Thuraya Satellite Networks

Dual circulation polarisations

Compact low profile design



ELECTRICAL

Frequency:	1.52 to 1.66 GHz
Gain:	12.5 dBiC Typ.
Polarisation:	Right and left hand circular
Beamwidth:	35° x 35° Typ.
Axial Ratio:	<2.8 dB Min.
VSWR:	2:1 Max.
Power Rating:	10 W

MECHANICAL

Standard Finish:	White
Mass:	0.9 Kg / 2.0 lbs
Temperature:	-20 to +50°C
Wind Loading:	143 @ 100 mph

Full radiation patterns and CAD available on request

DS: 1089-3 **Issued: 090621**
Dimensions: mm [inches]